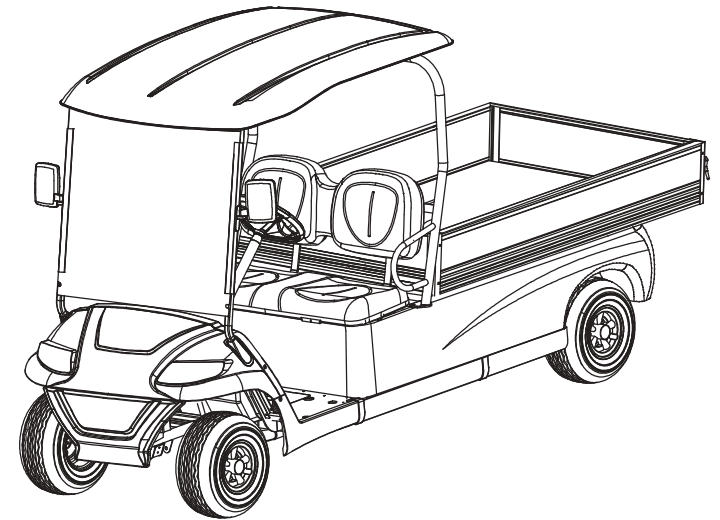
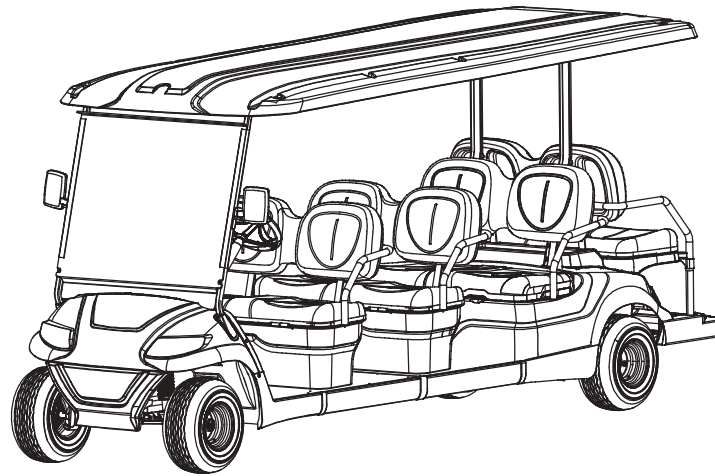
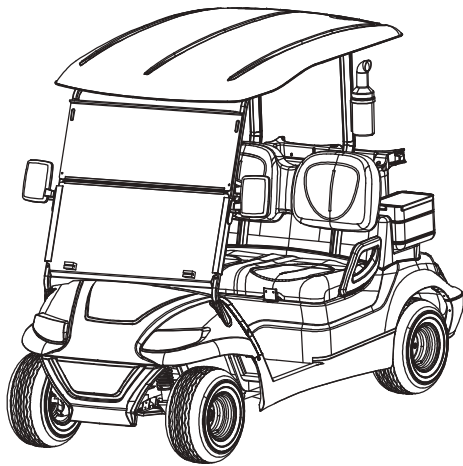


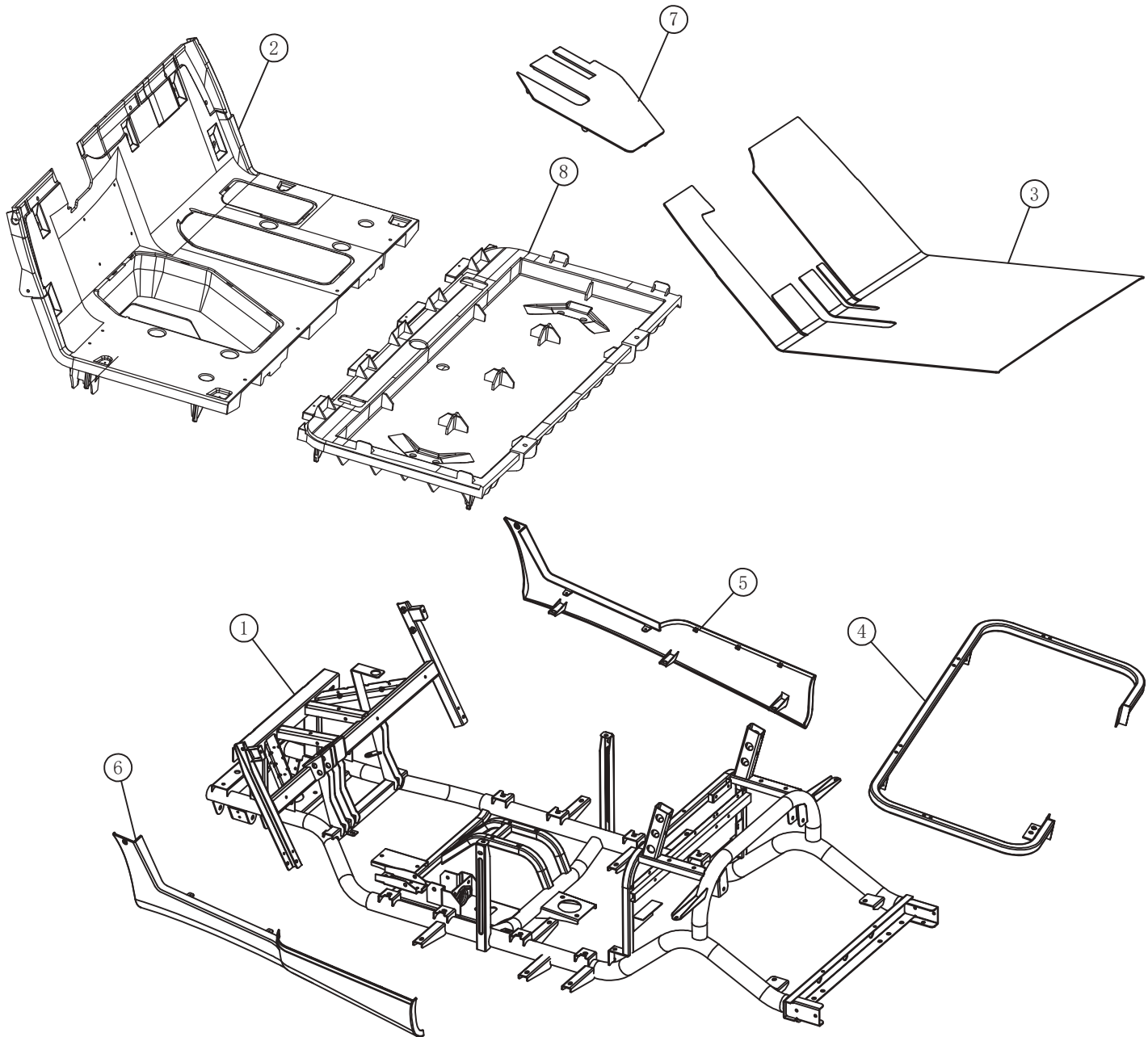


DRAKE

GOLF, COMMERCIAL & LIFESTYLE CARTS

A617 PARTS & ACCESSORIES CATALOGUE

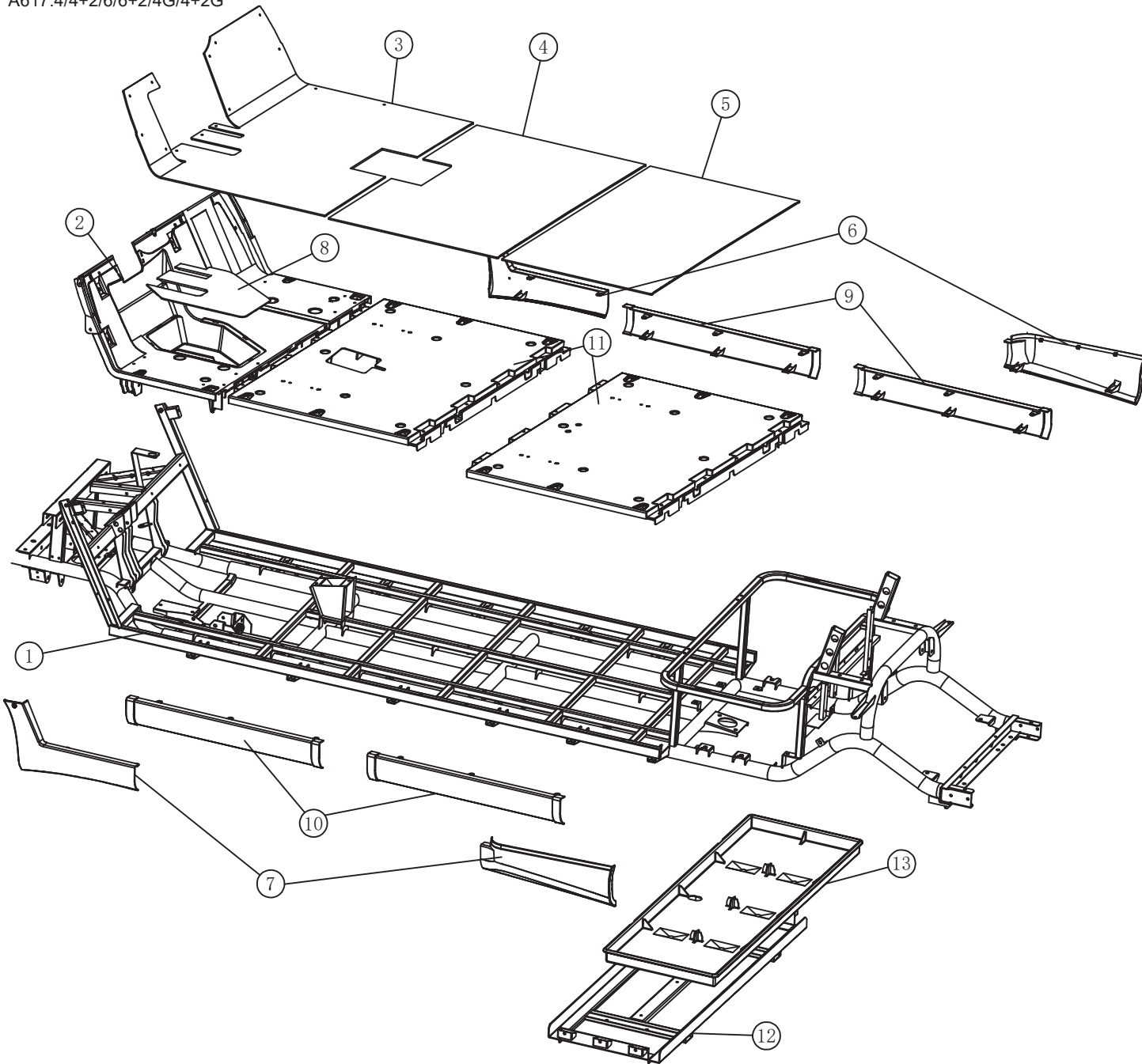




Chassis frame(1)

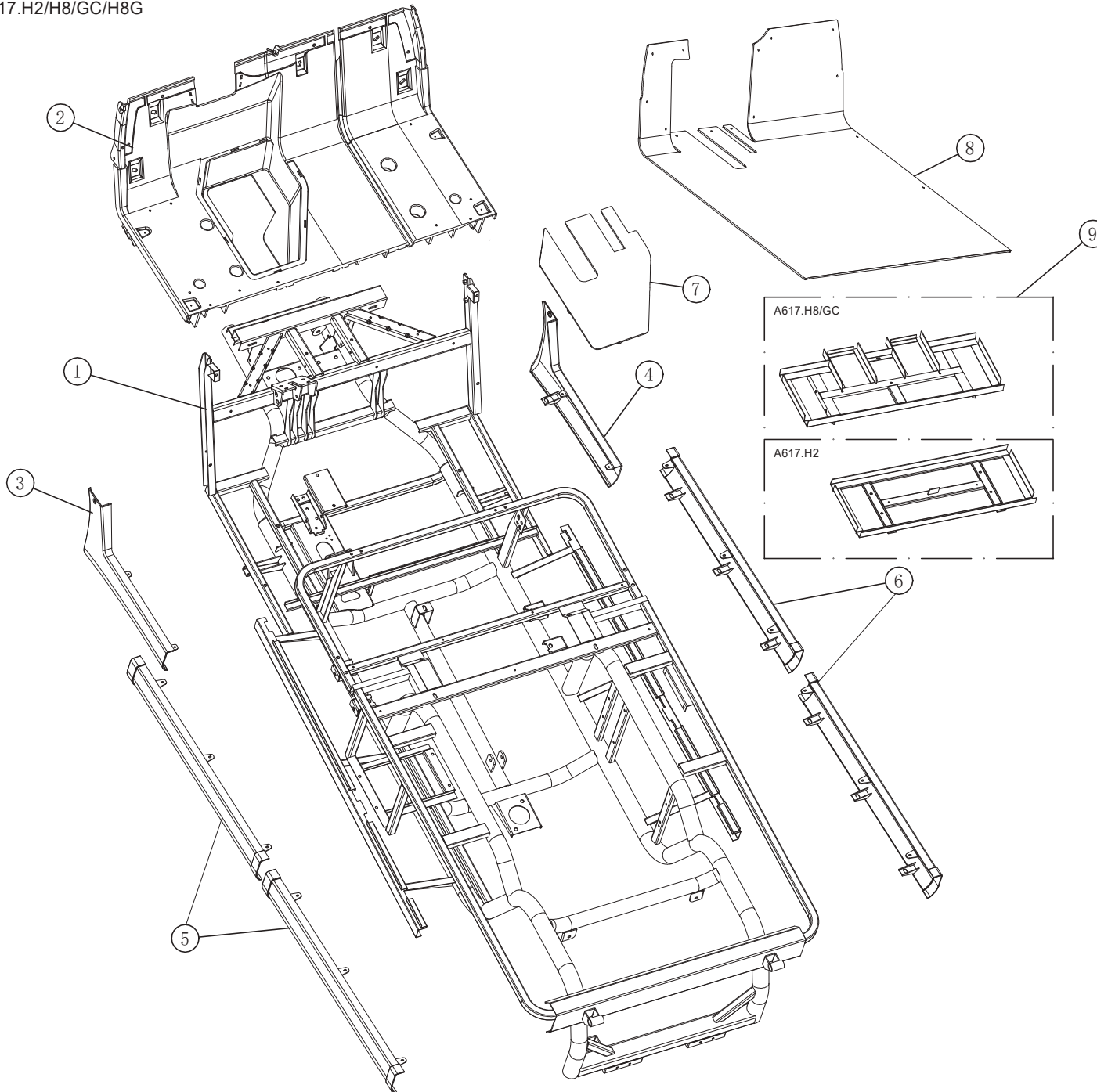
NO:	Code	Name	QTY	Remark
1	2.01.004.210001	A627.2 chassis frame	1	
	2.01.004.020070	A627.2 four disc brake chassis	1	
	2.01.004.210006	A627.2G chassis frame	1	A617.2G/2+2G
2	3.02.011.300096	A627 front baseplate	1	
3	2.02.007.010427	A627.2 floor plate	1	
4	2.01.004.210024	A627 seat support-B	1	
5	3.02.011.300070	A627 side sill-R	1	
6	3.02.011.300069	A627 side sill-L	1	
7	2.01.004.020016	A627 cover plate	1	
8	3.02.012.000069	A627.2 battery box	1	

A617.4/4+2/6/6+2/4G/4+2G



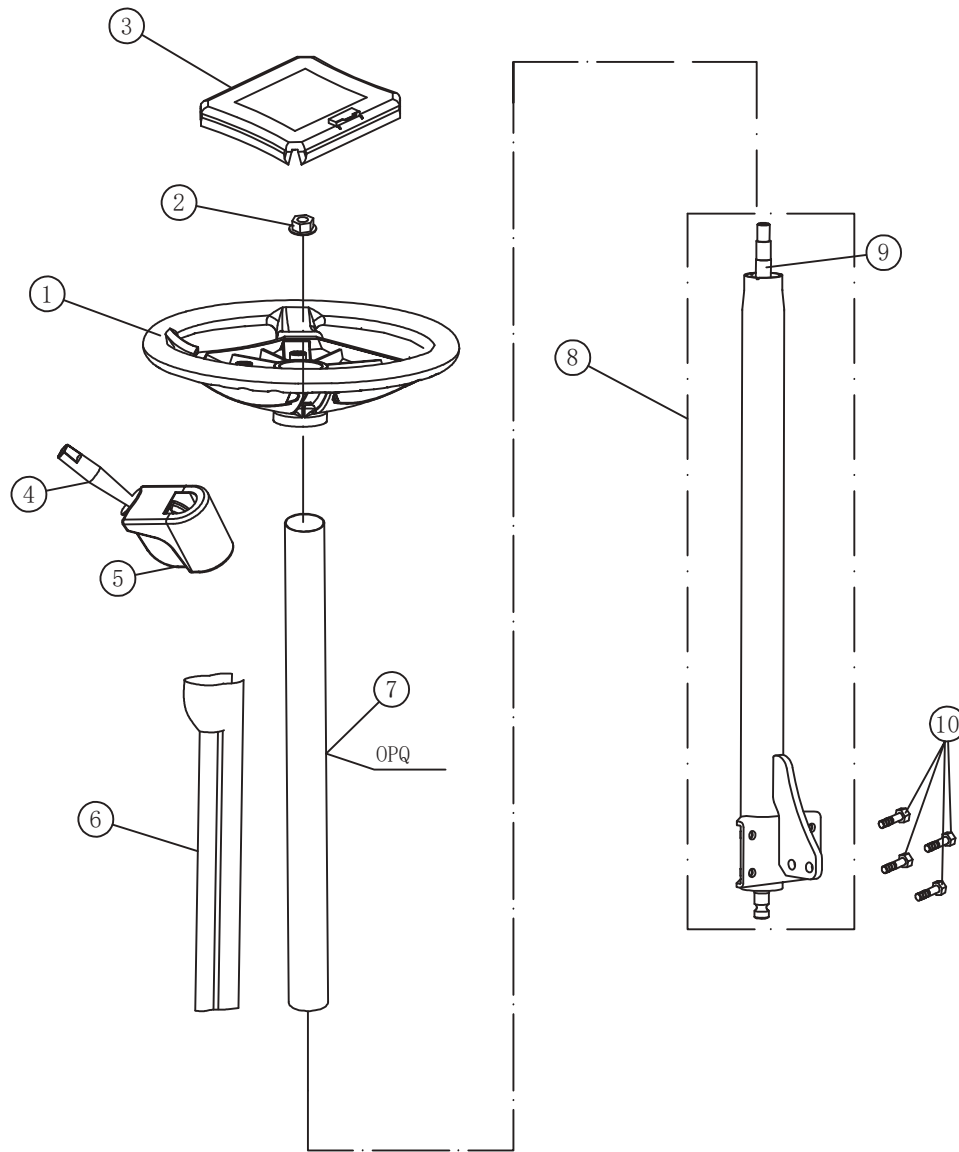
Chassis frame(2)

NO:	Code	Name	QTY	Remark
1	2.01.007.800040	A627.4 chassis frame-B	1	
	2.01.004.020073	A627.4 four disc brake chassis	1	
	2.01.004.210015	A627.4G chassis frame-B	1	A617.4G/4+2G
	2.01.004.210029	A627.6 chassis frame	1	
	2.01.004.020074	A627.6 four disc brake chassis	1	
2	3.02.011.300096	A627 front baseplate	1	
3	2.02.007.010036	A627.4 front floor plate	1	
4	2.02.007.010026	A627.6 middle floor plate	1	
5	2.02.007.010037	A627.4 rear floor plate	1	
6	3.02.011.300070	A627 side sill-R	1	
7	3.02.011.300069	A627 side sill-L	1	
8	2.01.004.020016	A627 cover plate	1	
9	3.02.011.300085	A627 middle Side Sill-R	1	A617.4/4+2 A617.4G/4+2G
			2	A617.6/6+2
10	3.02.011.300084	A627 middle Side Sill-L	1	A617.4/4+2 A617.4G/4+2G
			2	A617.6/6+2
11	3.02.011.300086	A627 middle baseplate	1	A617.4/4+2 A617.4G/4+2G
			2	A617.6/6+2
12	2.01.007.800179	A627.4G battery holder	1	
13	3.02.012.000060	A627.4 battery box	1	



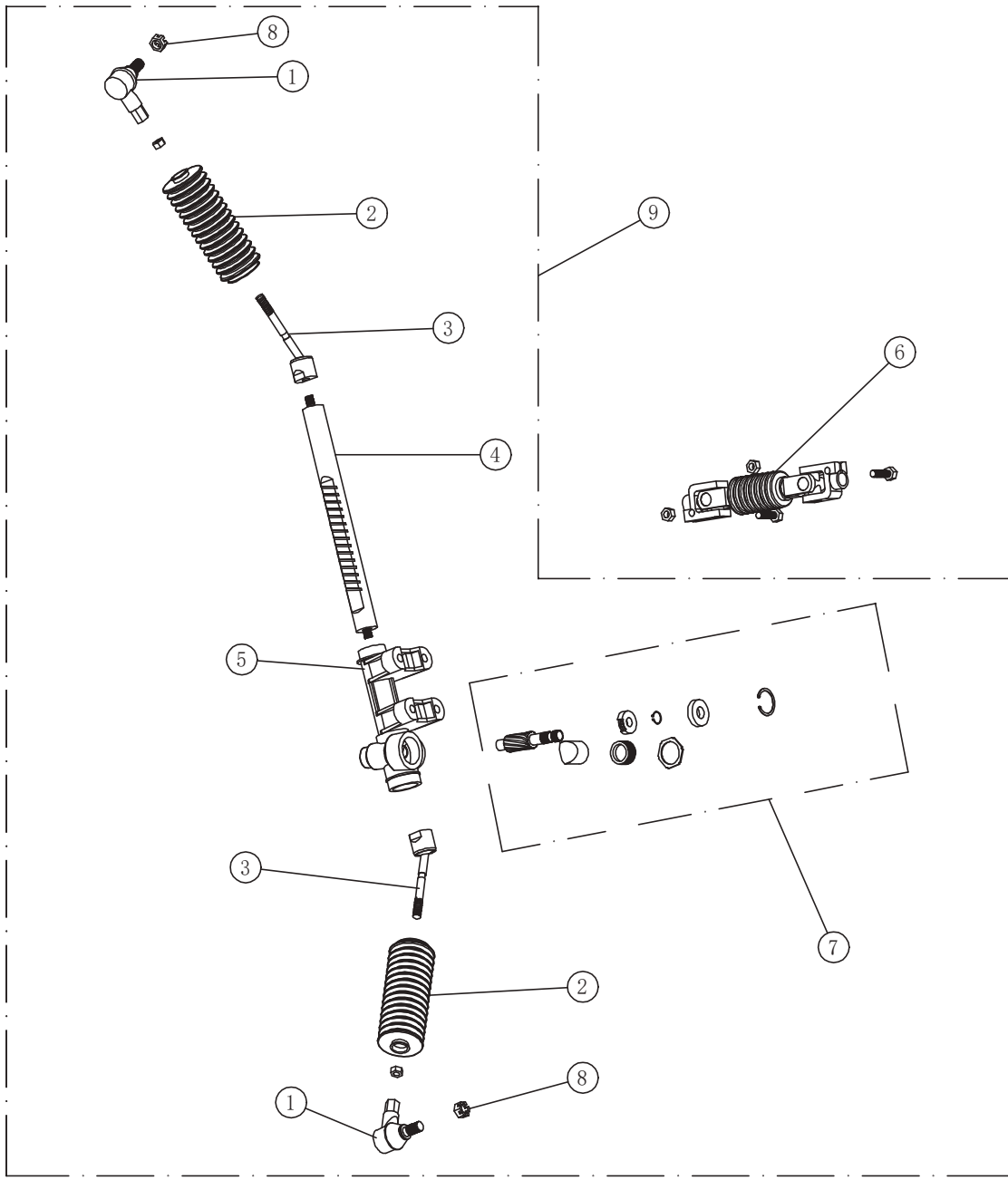
Chassis frame(3)

NO:	Code	Name	QTY	Remark
1	2.01.007.800093	A627.H2 chassis frame	1	
	2.01.007.800067	A627.H8 chassis frame	1	A617.H8/GC
	2.01.004.020083	A627.H8 four disc brake chassis	1	A617.H8
	2.01.007.800143	A627.H8G chassis frame	1	A617.H8G
2	3.02.011.300096	A627 front baseplate	1	
3	3.02.011.300069	A627 side sill-L	1	
4	3.02.011.300070	A627 side sill-R	1	
5	3.02.011.300084	A627 middle Side Sill-L	1	A617.H2
			2	A617.H8/GC
6	3.02.011.300085	A627 middle Side Sill-R	1	A617.H2
			2	A617.H8/GC A617.H8G
7	2.01.004.020016	A627 cover plate	1	
8	2.02.007.010052	A627.H floor plate	1	
9	2.01.007.800114	A627.6 battery holder	1	A617.H2
	2.01.007.800150	A627.H8 battery holder	1	A617.H8/GC A617.H8G



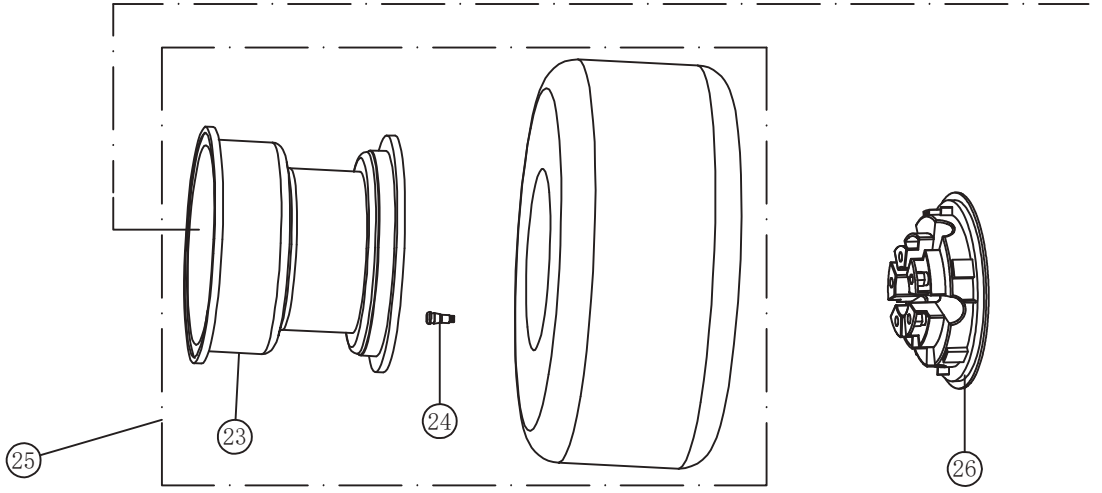
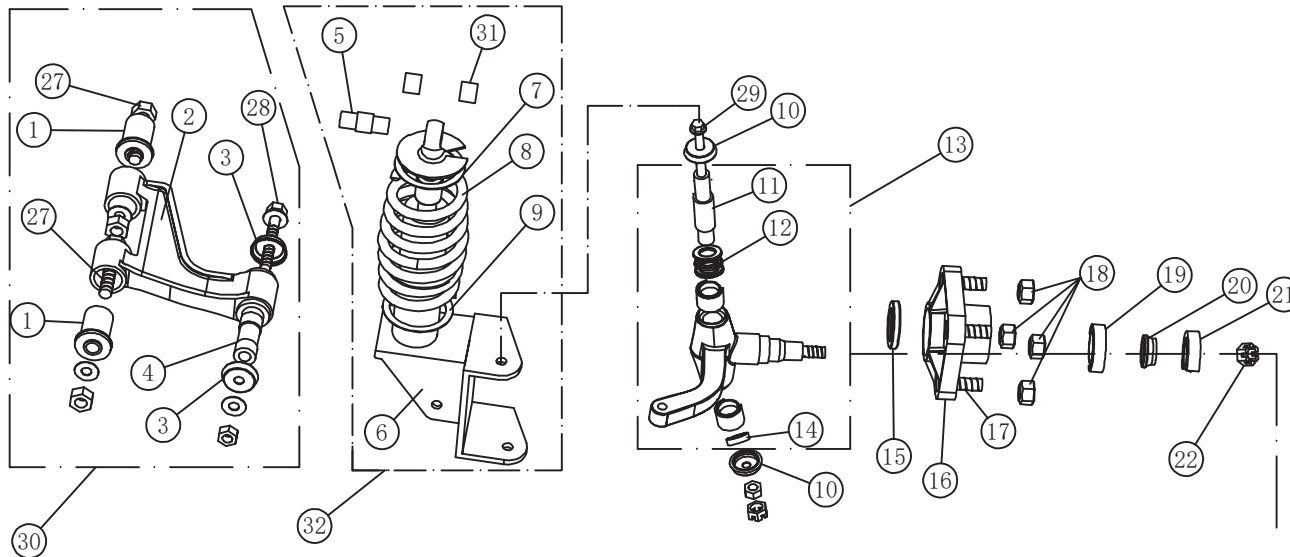
Steering system(1)

NO:	Code	Name	QTY	Remark
1	3.01.004.070001	Steering wheel	1	
2	3.01.003.100017	Nut	1	M14
3	3.02.014.000038	Card Holder	1	
4	3.03.011.000025	Single arm combination switch	1	
5	3.03.011.000027	Single arm combination switch holder	1	
6	3.02.011.300051	A627 Steering switch wire cover	1	450mm
7	3.02.014.000275	A627.4 Column cover	1	A617.2/2+2/H8/H2/GC A617.2G/2+2G/H8G
	2.01.001.010369	A627.4 Column cover	1	A617.4/4+2/6/6+2 A617.4G/4+2G
8	3.01.004.070118	A627 Steering column-B	1	A617.2/2+2/H8/H2/GC A617.2G/2+2G/H8G
	3.01.004.070119	A627.4 Steering column-B	1	A617.4/4+2/6/6+2 A617.4G/4+2G
9	3.01.004.070018	Rod steering	1	A617.2/2+2
10	3.01.003.060006	Screw	4	8*20



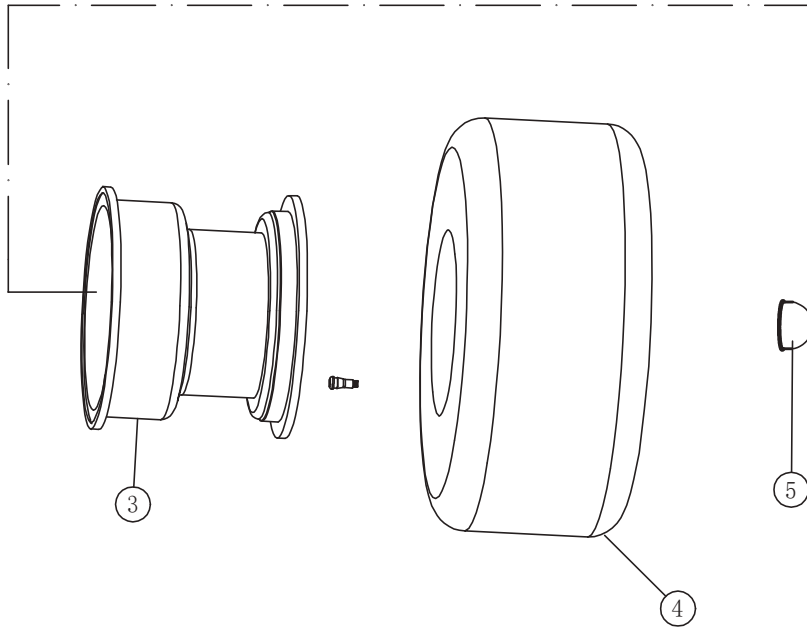
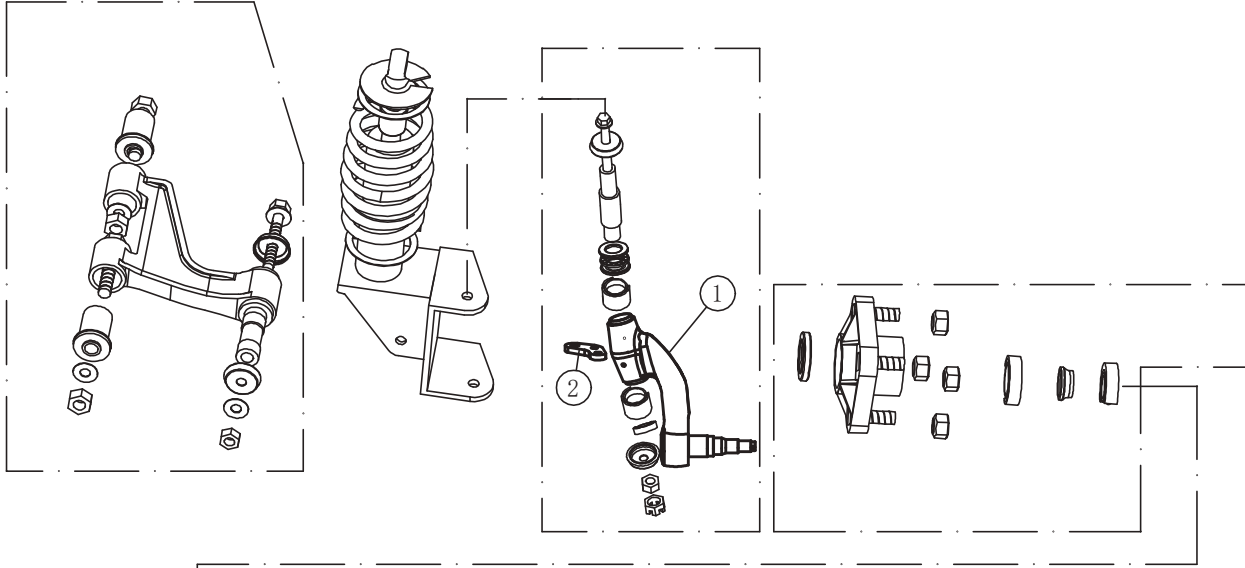
Steering system(2)

NO:	Code	Name	QTY	Remark
1	3.01.004.070011	Ball joint	2	
	3.01.004.070187	Ball joint	2	
	3.01.004.070128	Ball joint	2	
	3.01.004.070150	Ball joint	2	
2	3.02.014.000032	Dust proof rubber boot	2	
3	3.01.004.070136	Inner ball joint	2	
	3.01.004.070186	Inner ball joint	2	
	3.01.004.070185	Inner ball joint	2	
	3.02.004.070137	Inner ball joint	2	
4	3.01.004.070183	Steering gear rack	1	
	3.01.004.070184	Steering gear rack	1	
5	3.01.004.070013	Steering box housing	1	
6	3.01.004.900041	Universal joint	1	
	3.01.004.900051	Universal joint	1	
7	3.01.004.070012	Pinion assy	1	
8	3.01.003.100040	Nut	2	M12
9	3.01.004.070072	Steering	1	
	3.01.004.070090	Steering	1	
	3.01.004.070096	Steering for A627 with lift kits	1	
	3.01.004.070125	Steering	1	



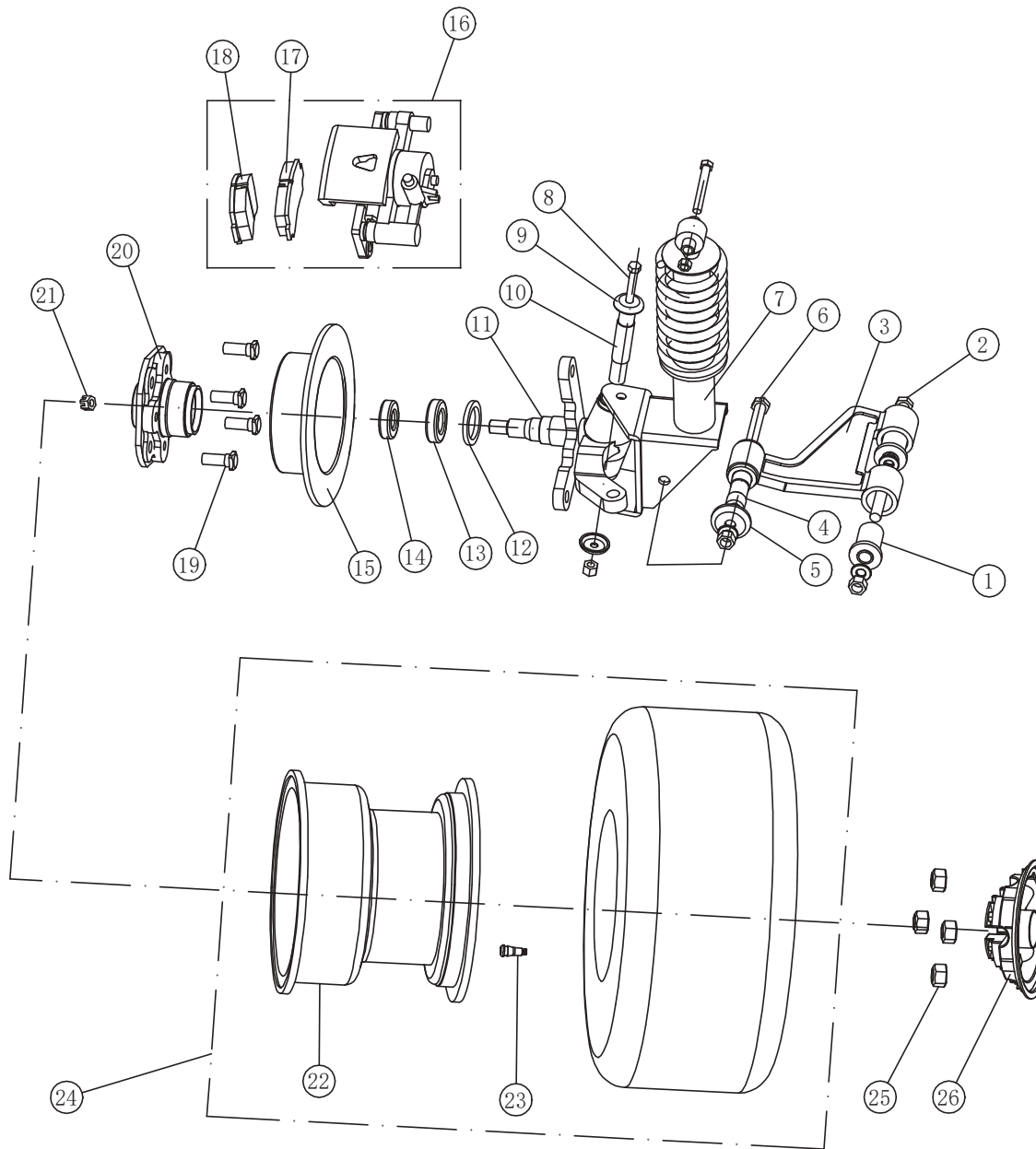
Front suspension(1)

NO:	Code	Name	QTY	Remark
1	3.01.004.070021	Bush	4	two for each side
2	3.01.005.010008	Arm	2	one for each side
3	3.01.004.070024	Arm seal	4	two for each side
4	3.01.004.070023	Arm shaft	2	one for each side
5	3.01.004.080004	Front shock absorbor up bush	2	one for each side
6	3.01.004.080002	Front shock absorbor/L	1	
	3.01.004.080001	Front shock absorbor/R	1	
7	3.02.014.000081	Front shock absorbor up rubber	2	one for each side
8	3.01.004.080013	A2 front spring	2	A617.2/2+2
	3.01.004.080015	A4 front spring	2	A617.4/4+2
	3.01.004.080017	A8 front spring	2	A617.2G/2+2G
	3.01.004.080019	A11 front spring	2	A617.6/6+2/4G 4+2GH2/H8/GC
9	3.02.014.000082	Front shock absorbor down rubber	2	one for each side
10	3.02.014.000110	Knuckle shaft seal/big	4	two for each side
11	3.01.004.070022	Main washer	2	one for each side
12	3.01.004.900019	Bearing	2	one for each side
13	3.01.005.010006	Knuckle assy/L	1	
	3.01.005.010007	Knuckle assy/R	1	
14	3.01.004.090013	Bearing	2	one for each side
15	3.01.004.090005	Bearing base seal	2	one for each side
16	3.01.005.010009	Bearing base	2	one for each side
17	3.01.003.070006	C wheel screw	8	four for each side
18	3.01.003.100045	C wheel nut	8	four for each side
19	3.01.004.090001	Bearing	2	one for each side
20	3.01.004.090004	bearing cover	2	one for each side
21	3.01.004.090002	Bearing	2	one for each side
22	3.01.003.070010	S14 knuckle nut	2	one for each side
23	3.01.004.020002	Wheel rim/white	2	one for each side
24	3.02.001.000021	Valve	2	one for each side
25	3.02.001.000030	8 inch wheel assembly	2	A617.2/2+2/4
	3.02.001.000002	6P carlisle wheel	2	A617.4+2/6/6+2 A617.H2/H8/GC
26	3.02.001.000054	A627 wheel cover	2	one for each side
27	3.01.003.060037	Screw	4	two for each side
28	3.01.003.060039	Screw	2	one for each side
29	3.01.003.060043	Screw	2	one for each side
30	2.03.001.000006	A arm assy	2	one for each side
31	3.02.014.000012	Limiting rubber sleeve	4	two for each side
32	2.03.001.000017	A8 front shock absorber assy/L	1	A617.2G/2+2G
	2.03.001.000018	A8 front shock absorber assy/R	1	A617.2G/2+2G
	2.03.001.000020	A11 front shock absorber assy/L	1	A617.6/6+2/4G 4+2GH2/H8/GC
	2.03.001.000021	A11 front shock absorber assy/R	1	A617.6/6+2/4G 4+2GH2/H8/GC
	2.03.001.000004	A2 front shock absorber assy/L	1	A617.2/2+2
32	2.03.001.000005	A2 front shock absorber assy/R	1	A617.2/2+2
	2.03.001.000014	A4 front shock absorber assy/L	1	A617.4/4+2
	2.03.001.000015	A4 front shock absorber assy/R	1	A617.4/4+2



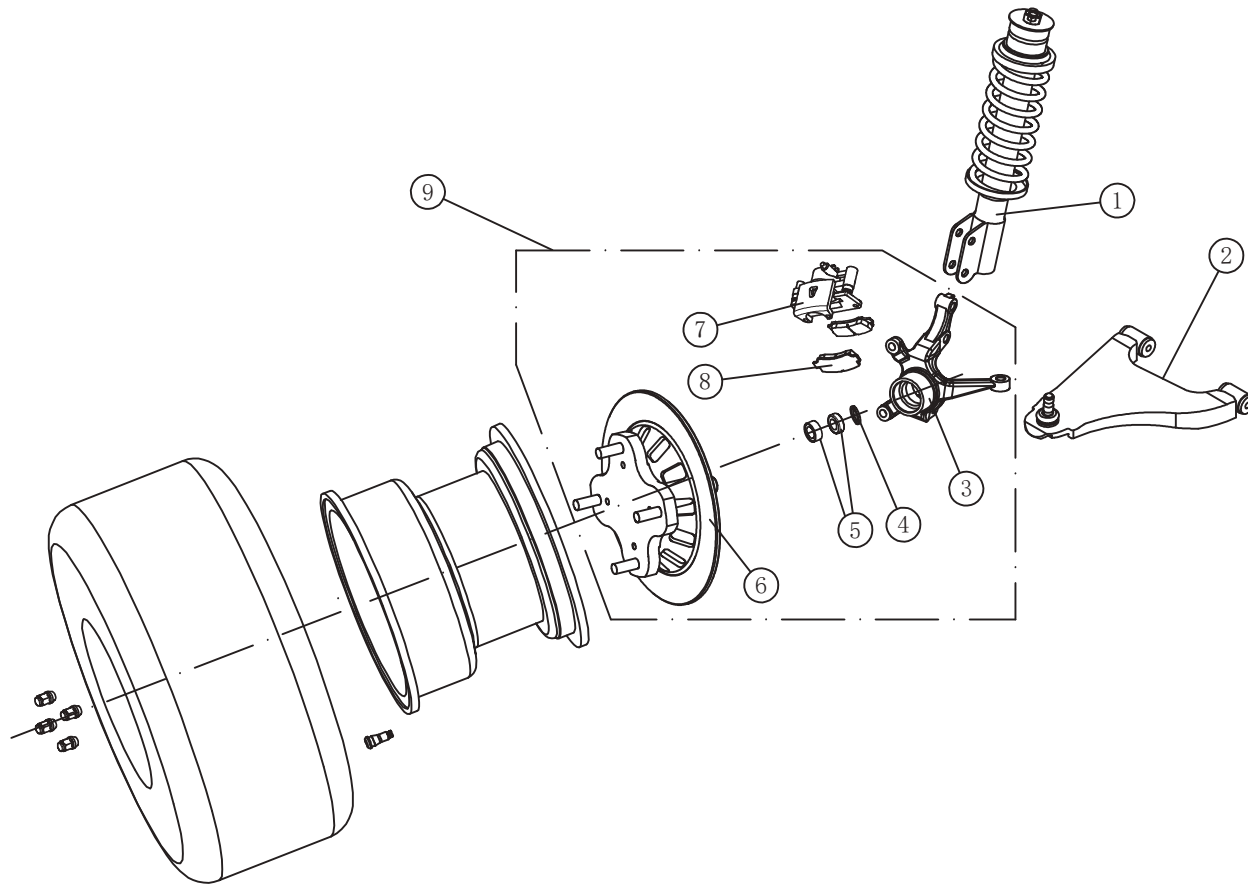
Front suspension(2)

NO:	Code	Name	QTY	Remark
1	3.01.004.070082	Lifted knuckle/L	1	
	3.01.004.070083	Lifted knuckle/R	1	
2	3.01.006.020039	A627 with lift kits knuckle lock plate/L	1	
	3.01.006.020040	A627 with lift kits knuckle lock plate/R	1	
3	3.01.004.020011	Aluminum rim LD-A0721270	2	one for each side
4	3.02.001.900010	Tyre	2	one for each side
5	3.02.010.000016	Wheel cover	2	one for each side



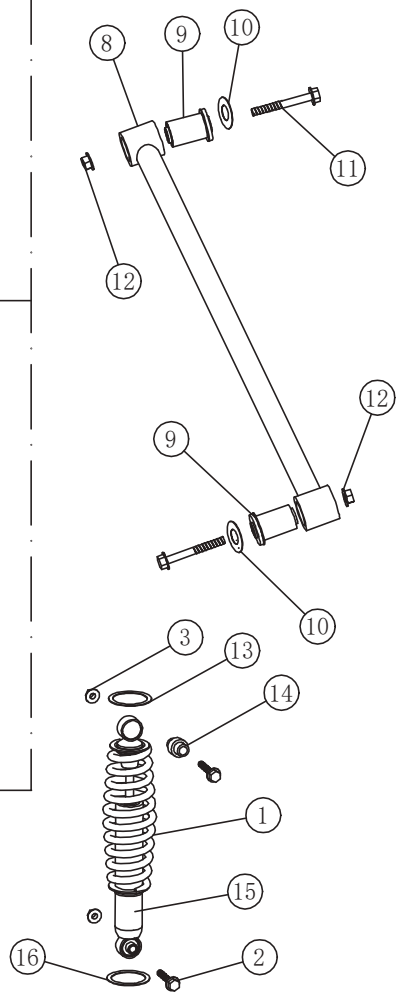
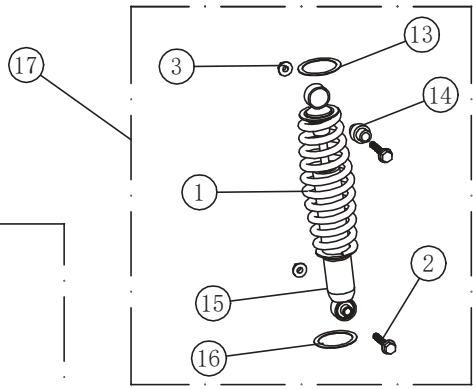
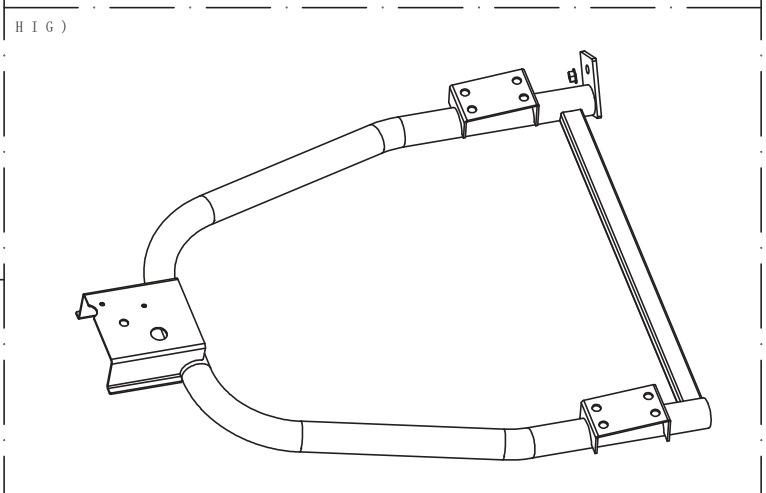
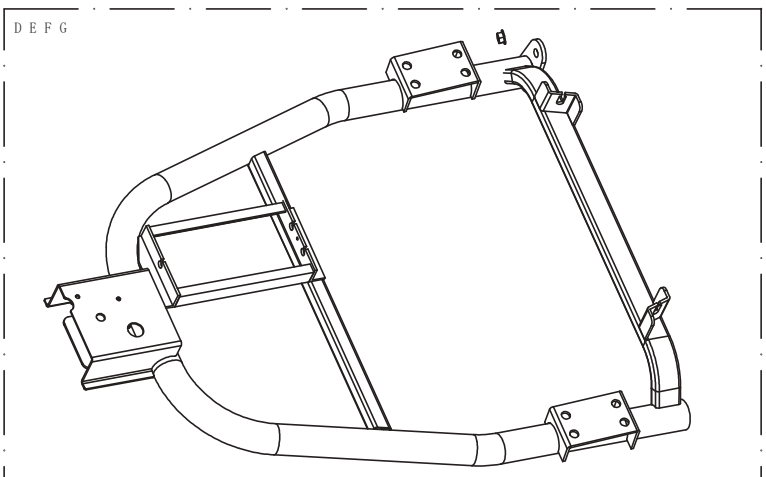
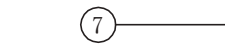
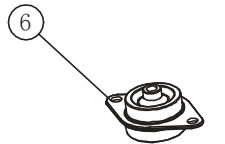
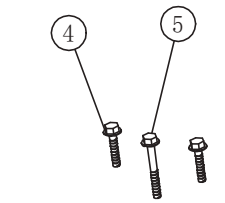
Front suspension(3)

NO:	Code	Name	QTY	Remark
1	3.01.004.070021	Bush	4	two for each side
2	3.01.006.020045	Screw	4	two for each side
3	3.01.005.010008	Arm	2	one for each side
4	3.01.004.070023	Arm shaft	2	one for each side
5	3.01.004.070024	Arm seal	4	two for each side
6	3.01.006.020044	Screw	1	
7	3.01.004.070189	A2 front shock absorber assy/L	1	A617.2/2+2
	3.01.004.070190	A2 front shock absorber assy/R	1	A617.2/2+2
	3.01.004.070191	A4 front shock absorber assy/L	1	A617.4/4+2
	3.01.004.070192	A4 front shock absorber assy/R	1	A617.4/4+2
	3.01.004.070193	A8 front shock absorber assy/L	1	A617.6/6+2 H2/H8/GC
	3.01.004.070194	A8 front shock absorber assy/R	1	A617.6/6+2 H2/H8/GC
8	3.01.006.020046	Screw	2	one for each side
9	3.02.014.000110	Knuckle shaft seal/big	4	two for each side
10	3.01.004.070022	Main washer	2	one for each side
11	3.01.005.010004	Disc brake knuckle/L	1	
	3.01.005.010005	Disc brake knuckle/R	1	
12	3.01.004.090005	Bearing base seal	1	
13	3.01.004.090015	Tapered roller bearing	2	one for each side
14	3.01.004.090006	Tapered roller bearing	2	one for each side
15	3.01.005.010016	S4PA brake disc	2	one for each side
16	3.01.006.200092	Front brake cylinder/L	1	
	3.01.006.200091	Front brake cylinder/R	1	
17	3.01.004.900087	brake pad	2	one for each side
18	3.01.004.900088	brake pad	2	one for each side
19	3.01.003.070006	C wheel screw	8	four for each side
20	3.01.005.010028	Disc brake bearing base	2	one for each side
21	3.01.003.070010	Valve	2	one for each side
22	3.01.004.020001	Wheel rim	2	one for each side
23	3.02.001.000021	Valve	2	one for each side
24	3.02.001.000005	Disc brake wheel	2	one for each side
25	3.01.003.100038	C wheel nut	8	four for each side
26	3.02.001.000045	10 inch wheel cover	2	one for each side



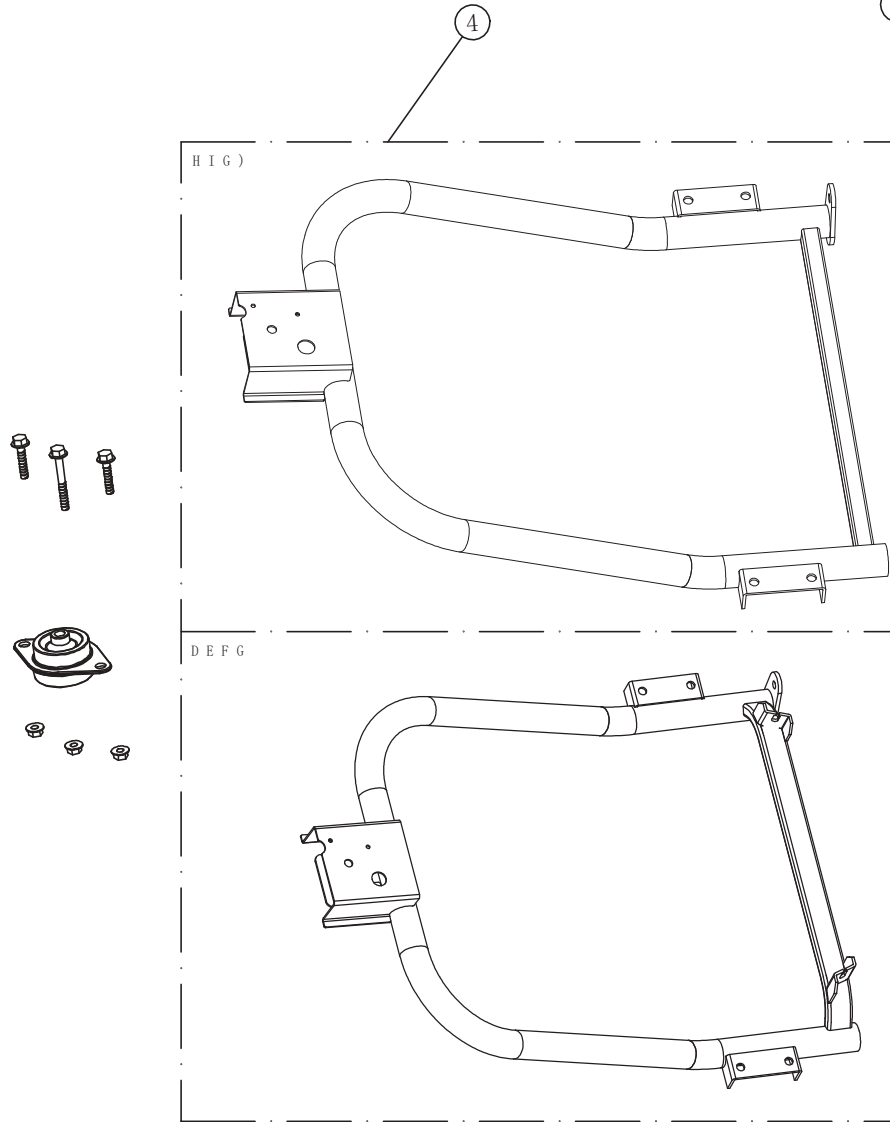
Front suspension(4)

NO:	Code	Name	QTY	Remark
1	3.01.004.070121	Front shock absorber ass L	1	A617.2G/2+2G
	3.01.004.070122	Front shock absorber ass R	1	
	3.01.004.070142	Front shock absorber ass L	1	A617.4G/4+2G A617.H8G
	3.01.004.070141	Front shock absorber ass R	1	
2	3.01.004.070073	Lower control arm/L	1	
	3.01.004.070074	Lower control arm/R	1	
3	3.01.004.070055	Knuckle/L	1	
	3.01.004.070054	Knuckle/R	1	
4	3.01.004.090008	Bearing base seal	2	one for each side
5	3.01.004.090003	Bearing 6205	4	two for each side
6	3.01.006.200081	Front brake disc	2	one for each side
	3.01.006.200082	Front brake callipers/L	1	
7	3.01.006.200083	Front brake callipers/R	1	
	3.01.004.050022	Front brake shoe	4	two for each side
9	3.01.005.010012	A627 Knuckle assy for lifted cart/L	1	
	3.01.005.010013	A627 Knuckle assy for lifted cart/R	1	



Rear suspension system(1)

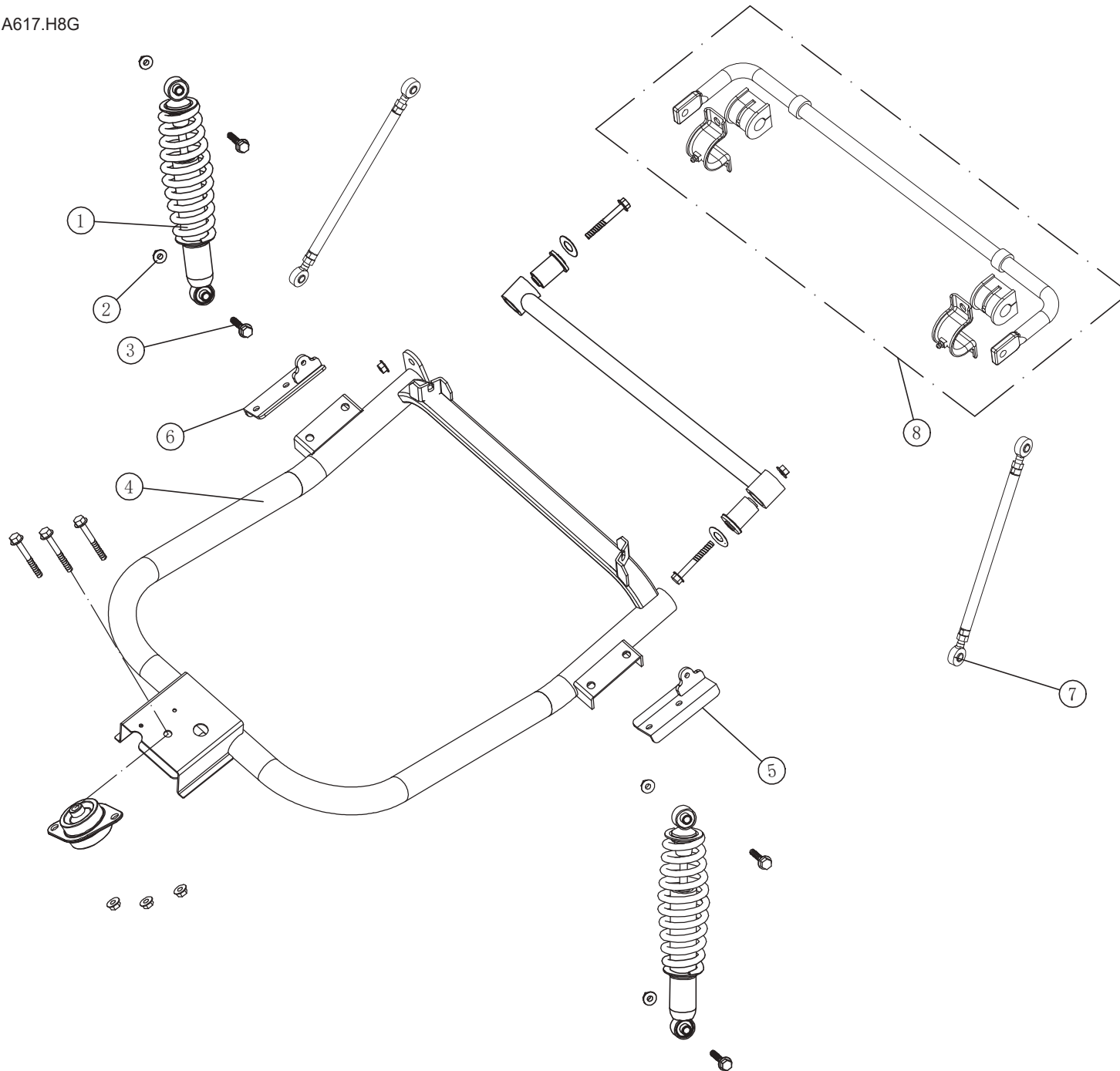
NO:	Code	Name	QTY	Remark
1	3.01.004.080012	A2 rear spring	2	A617.2
	3.01.004.080014	A4 rear spring	2	A617.2+2/4
	3.01.004.080016	A8 rear spring	2	A617.4+2
	3.01.004.080018	A11 rear spring	2	A617.6/6+2/H2 A617.H8/GC
2	3.01.003.060060	Screw	4	M10*50
3	3.01.003.100015	Nut	4	M10
4	3.01.003.060007	Screw	2	10*1.25*20
5	3.01.003.060038	Screw	1	12*1.25*80
6	3.02.014.000069	Shock absorber rubber	1	
7	2.01.004.210011	A627 transaxle bend pipe	1	H I G)
	2.01.004.210067	A627 disc brake transaxle bend pipe	1	D E F G
	2.01.004.210032	A627 transaxle bend pipe	1	F d H
8	2.01.004.210012	A627 rear balancing pole	1	
9	3.01.004.070021	Suspension bush	2	Ø13*50mm
10	3.01.003.080036	Gasket	2	3.0*12*40
11	3.01.003.060037	Screw	2	12*70
12	3.01.003.100016	Nut	2	M12
13	3.02.014.000053	Rear shock absorber up rubber rim	2	1 u 44mm n u 55mm
14	3.01.004.080007	Rear shock absorber bush	2	
15	3.01.004.080005	Rear shock absorber	2	
16	3.02.014.000054	Rear shock absorber low rubber rim	2	1 u 44mm n u 55mm
17	2.03.001.000009	A2 rear shock absorber assy	2	A617.2
	2.03.001.000016	A4 rear shock absorber assy	2	A617.2+2/4
	2.03.001.000019	A8 rear shock absorber assy	2	A617.4+2
	2.03.001.000022	A11 rear shock absorber assy	2	A617.6/6+2/H2 A617.H8/GC



Rear suspension system(2)

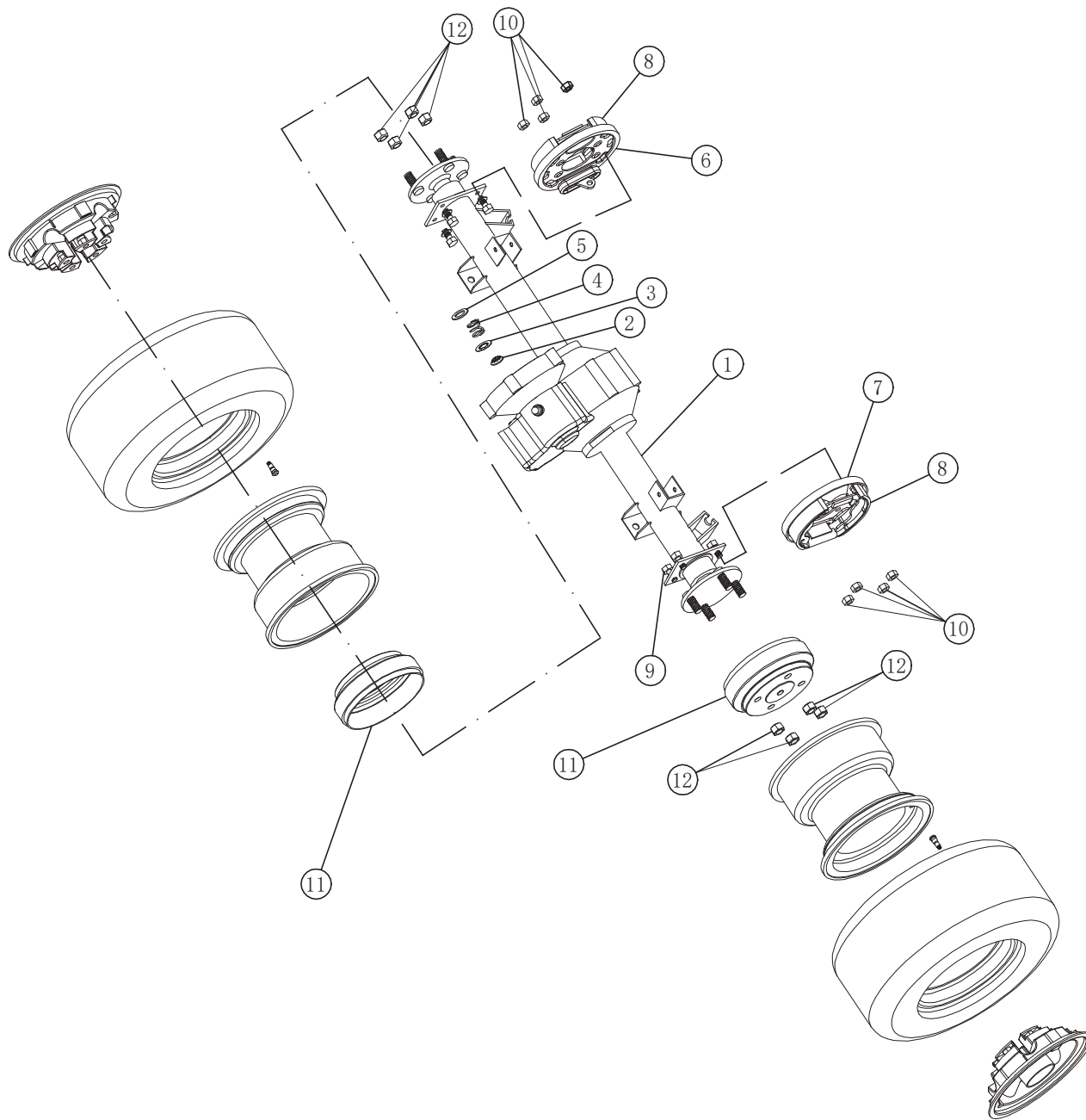
NO:	Code	Name	QTY	Remark
1	2.03.001.000022	A11 rear shock absorb assy	2	A617.2G/2+2G A617.4G/4+2G H I G)
	3.01.004.070140	Rear shock absorber	2	A617.H8G H I G)
	3.01.004.070120	Rear shock absorber	2	A617.2G/2+2G D E F G
	3.01.004.070140	Rear shock absorber	2	A617.4G/4+2G D E F G
2	3.01.003.060060	Screw	4	M10*50 H I G) 220o (X
	3.01.003.060066	Screw	4	M14*50 D E F G
3	3.01.003.100015	Nut	4	M10 H I G) 220o (X
	3.01.003.100015	Nut	4	M14 D E F G
4	2.01.007.800047	Transaxle bend pipe assy	1	A617.2G/2+2G A617.4G/4+2G/H8G H I G)
	2.01.004.210042	Transaxle bend pipe assy-B	1	A617.2G/2+2G A617.4G/4+2G D E F G
	2.01.004.010088	Transaxle bend pipe assy	1	220o (X
5	2.01.007.800048	Rear shock absorb lifted stay	1	A617.2G/2+2G A617.4G/4+2G H I G)

A617.H8G



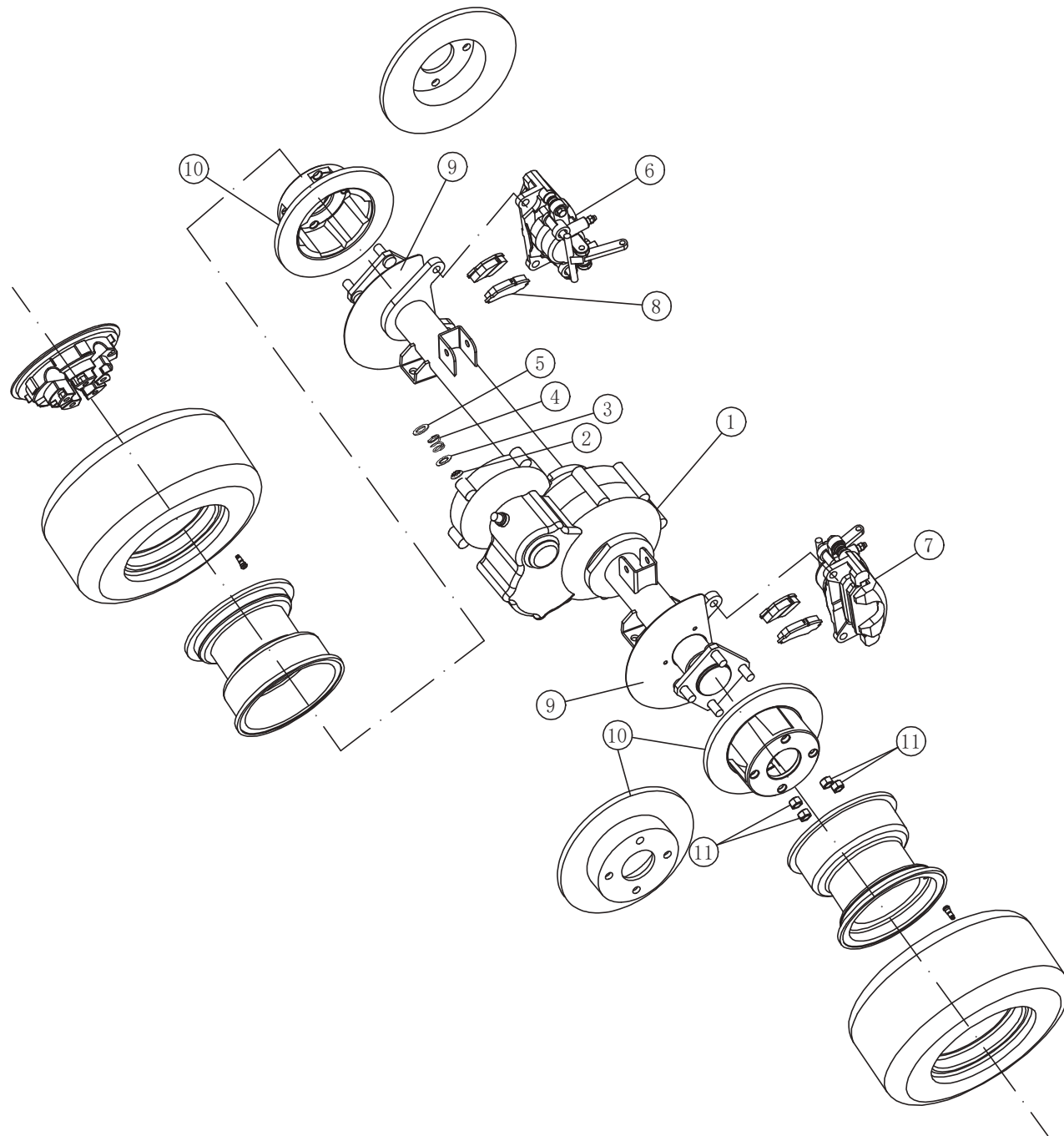
Rear suspension system(3)

NO:	Code	Name	QTY	Remark
1	3.01.004.070140	Rear shock absorber	2	
2	3.01.003.100017	Nut	4	M14
3	3.01.003.060066	Screw	4	M14*50
4	2.01.004.210042	Transaxle bend pipe assy-B	1	
5	2.01.004.020097	Rear roll bar under base/L	1	
6	2.01.004.020100	Rear roll bar under base/R	1	
7	2.01.004.020084	Rear roll bar drawbar	2	
8	3.01.004.110118	Rear roll bar assembly	1	



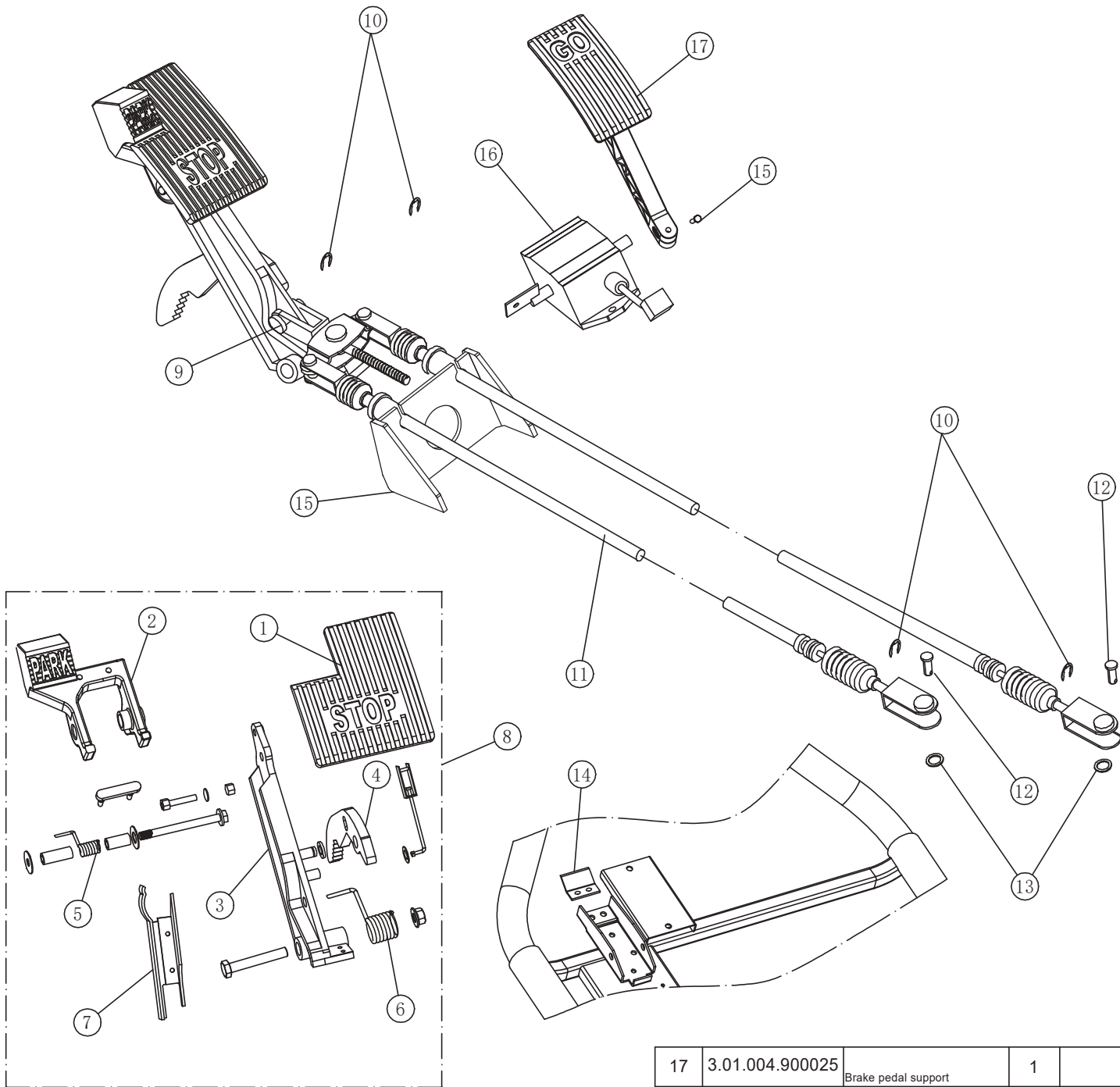
Transaxle system (1)

NO:	Code	Name	QTY	Remark
1	3.01.004.010065	A627 transaxle-A	1	12.31:1
	3.01.004.010109	A627 transaxle-D	1	16:1
2	3.02.014.000094	Input axle seal	1	
3	2.01.001.010258	Input axle gear gasket	1	
4	3.01.006.000115	Input axle spring	1	
5	2.01.001.010259	Input axle round gasket	1	
6	3.01.004.050002	Brake/L	1	
7	3.01.004.050001	Brake/R	1	
8	3.01.004.050049	E brake shoe	4	
9	3.01.003.070005	C fender screw	8	
10	3.01.003.100039	C fender nut	8	
11	3.01.005.010001	C brake drum	2	
12	3.01.003.100045	C brake drum nut	8	



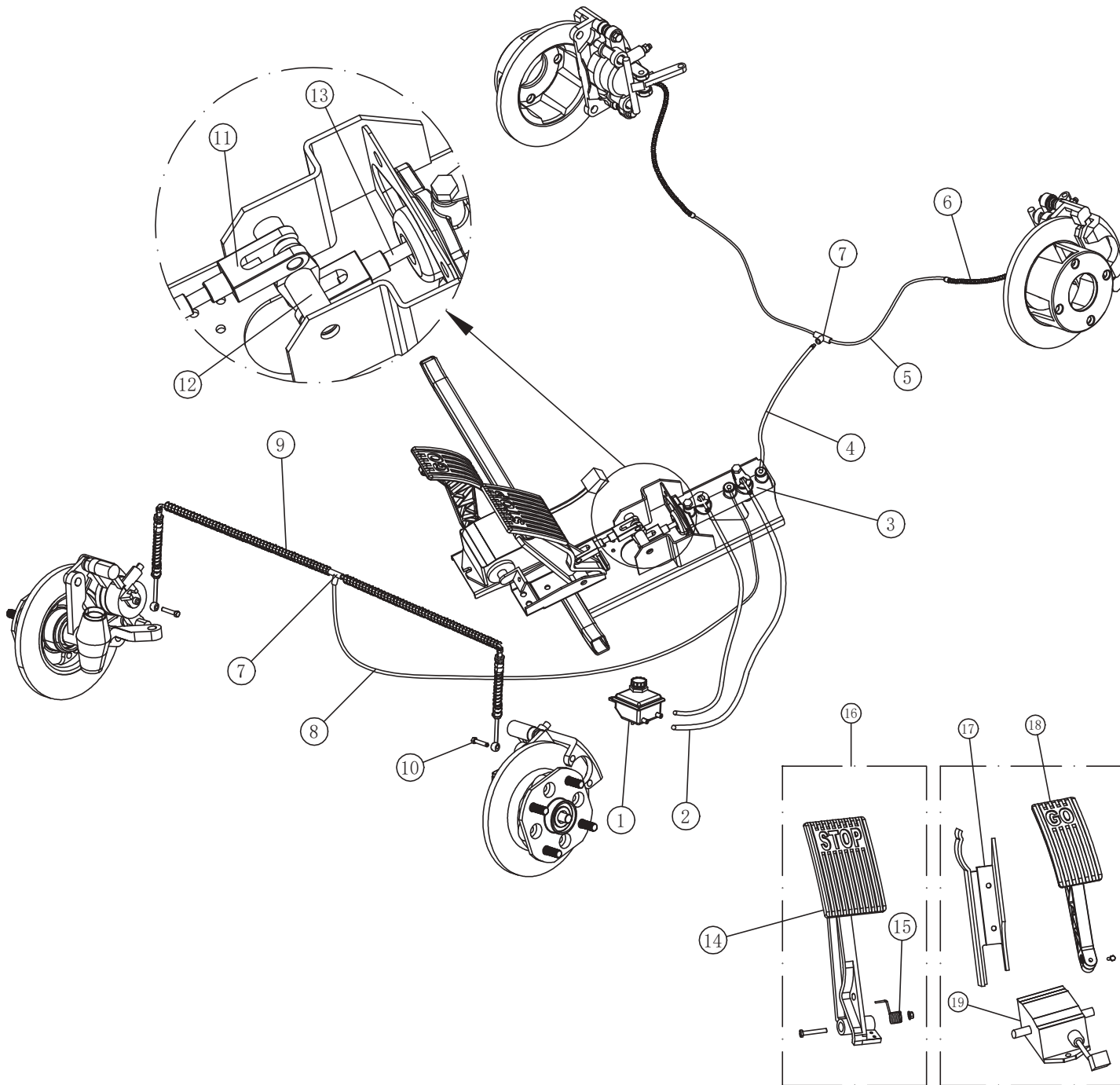
Transaxle system (2)

NO:	Code	Name	QTY	Remark
1	3.01.004.010147	A627 disc brake transaxle-2	1	12.31:1
	3.01.004.010109	A627 transaxle-D	1	16:1
	3.01.004.010128	A627 disc brake transaxle for lifted cart	1	12.31:1
2	3.02.014.000094	Input axle seal	1	
3	2.01.001.010258	Input axle gear gasket	1	
4	3.01.006.000115	Input axle spring	1	
5	2.01.001.010259	Input axle round gasket	1	
6	3.01.004.110106	A627 rear brake pincers for lifted cart/R	1	
7	3.01.004.110105	A627 rear brake pincers for lifted cart/L	1	
8	3.01.004.900071	A627 rear brake shoe for lifted cart	4	
9	2.01.004.210068	A627 disc brake rear axle fender	2	
	3.01.006.200086	A627.2G disc brake rear axle fender	2	
10	3.01.005.010037	Φ200 rear brake disc	2	
	3.01.006.200085	Rear brake disc for lifted cart	2	
11	3.01.003.100045	C brake drum nut	8	



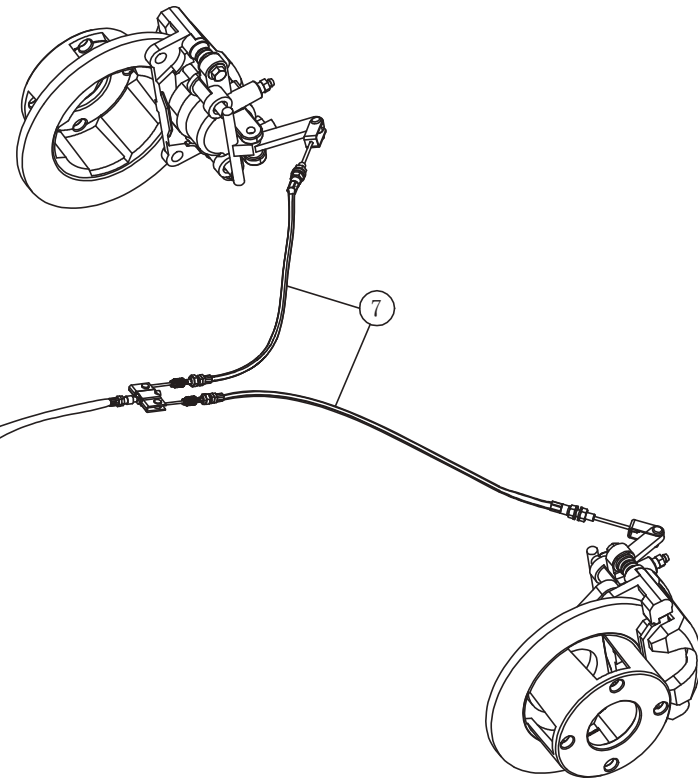
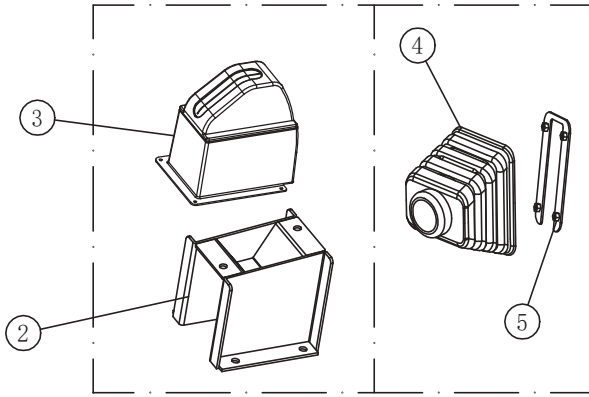
Brake system(1)

NO:	Code	Name	QTY	Remark
1	3.01.004.050088	Brake pedal	1	
2	2.01.004.010337	Parking pedal	1	45%
3	3.01.004.050040	Brake pedal support	1	
4	3.02.014.200010	Brake hook	1	
5	3.01.004.050048	Parking pedal spring	1	45%
6	2.01.004.010271	Brake pedal spring	1	45%
7	3.02.014.000092	Brake pedel support collar	1	
8	3.01.004.060004	Brake pedal assy	1	
9	3.01.004.040022	Front nail	1	10*25
10	3.01.003.070036	Jump ring	4	7
11	3.01.004.900042	Brake pull cable	1	A617.2/2+2
	3.01.004.900043	Brake pull cable	1	A617.4/4+2
	3.01.004.900044	Brake pull cable	1	A617.6/6+2
	3.01.004.040007	Brake pull cable	1	A617.H2
	3.01.004.040010	Brake pull cable	1	A617.H8/GC
	3.01.004.040051	Brake pull cable	1	A617.2G/2+2G
	3.01.004.040058	Brake pull cable	1	A617.4G/4+2G
	3.01.004.040059	Brake pull cable	1	A617.H8G
12	3.01.004.040021	Rear nail	2	8*22
13	3.01.003.080004	Gasket	2	1.2*8*20
14	3.01.004.050033	Brake pedal panel	1	
15	3.01.003.060015	Flange screw	1	6*35
16	3.03.005.000001	Accelerator Hall-A	1	RSTUV
	3.03.005.000009	Resistive accelerator-3	1	YZUV [NB
	3.03.005.000017	Accelerator Hall-A1	1	YZUV [NI
17	3.01.004.900025	Brake pedal support	1	



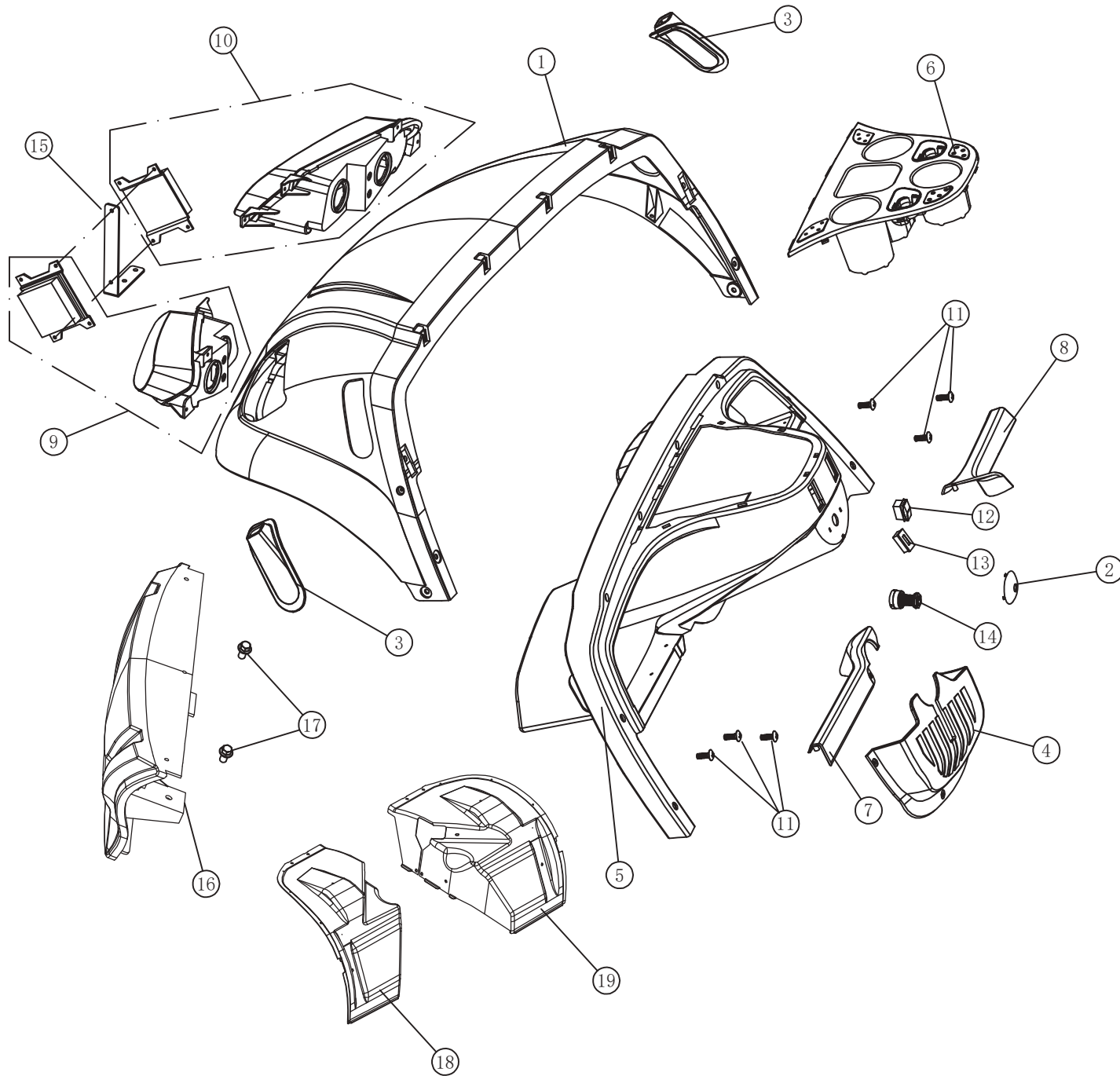
Brake system(2)

NO:	Code	Name	QTY	Remark
1	3.01.004.050085	Brake oil tank	1	
2	3.01.004.030039	Oil tank pipe	11	
3	3.01.004.050005	Brake master cylinder	1	7/8
4	3.01.004.030006	Brake steel oil pipe 370	1	A617.2/2+2/H8 A617.2G/2+2G/H8G
	3.01.004.030060	Brake steel oil pipe 1210	1	A617.4/4+2 A617.4G/4+2G
	3.01.004.030071	Brake steel oil pipe 2100	1	A617.6/6+2
5	3.01.004.030009	Brake steel oil pipe 750	2	A617.2/2+2/4/4+2 A617.2G/2+2G/H8G/4+2G A617.6/6+2
	3.01.004.030009	Brake steel oil pipe 1600	2	A617.H8/H8G
6	3.01.004.030040	Rear plastic oil pipe	2	600mm
7	3.01.004.050028	Disc brake tee	2	
8	3.01.004.030005	Brake steel oil pipe 1010	1	
9	3.01.004.030042	Rear plastic oil pipe	2	
10	3.01.003.070041	Hollow screw	2	10
11	3.01.004.050043	Brake master cylinder connecting rod	2	
12	2.01.004.010176	Accelerator conversion structure	1	
13	3.01.004.050107	A627 brake master cylinder putter	1	
14	3.01.004.050040	Brake pedal support	1	
15	2.01.004.010271	Brake pedal spring	1	
16	3.01.004.060005	Brake pedal assy	1	
17	3.02.014.000092	Brake pedal support collar	1	
18	3.01.004.900025	Brake pedal support	1	
19	3.03.005.000001	Accelerator Hall-A	1	
	3.03.005.000015	Resistive accelerator-4	1	
	3.03.005.000019	Accelerator Hall-C1	1	



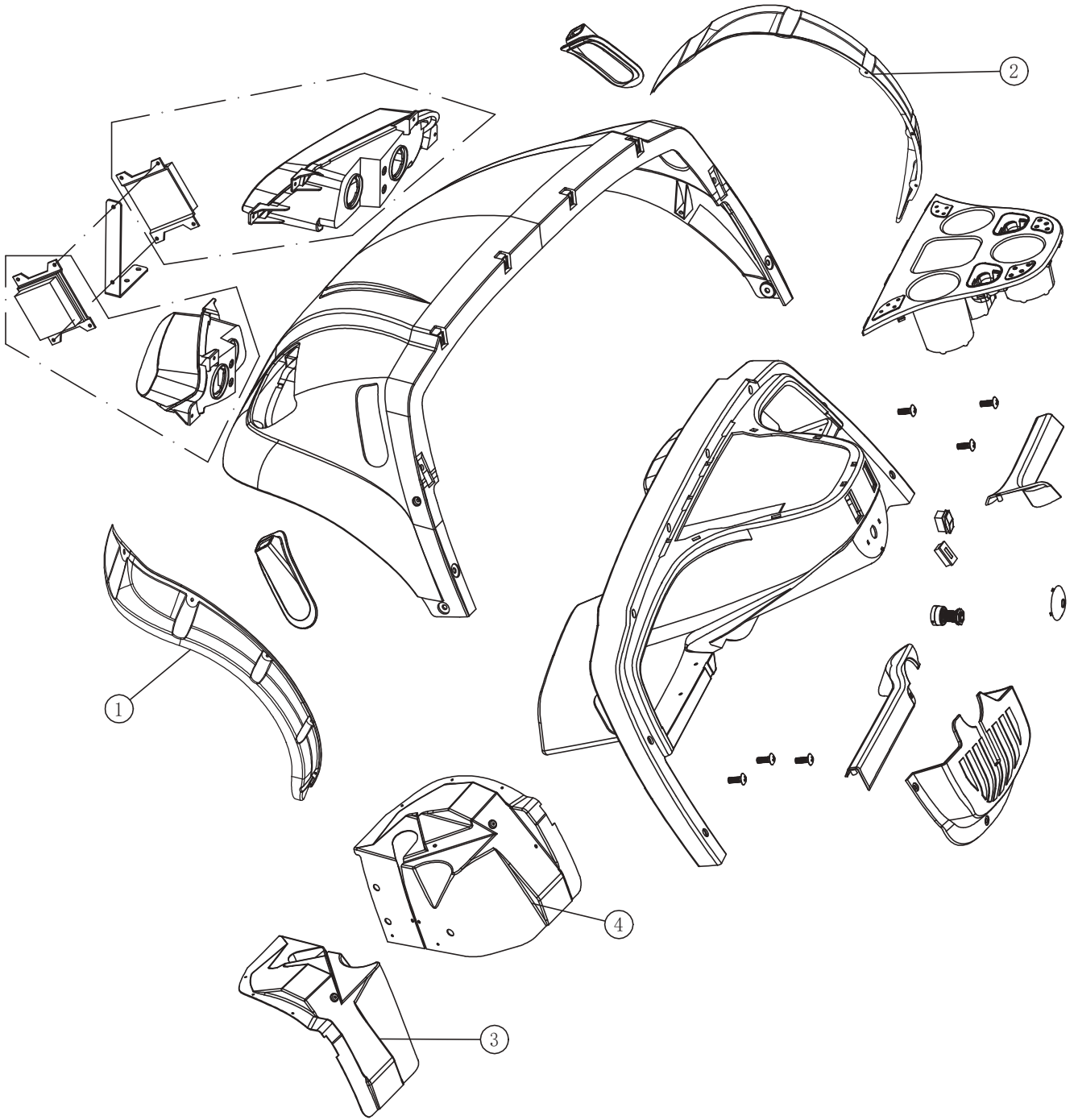
Hand brake system

NO:	Code	Name	QTY	Remark
1	2.01.003.070152	Brake handle	1	
2	2.01.004.010095	A627.2 handbrake base	1	A617.2/2+2 A617.2G/2+2G
3	3.02.011.000196	A627 handbrake cover	1	A617.2/2+2 A617.2G/2+2G
4	3.02.014.000016	S8.FA handbrake leather cover	1	
5	2.01.004.080077	A627 handbrake leather cover fixing plate	1	
6	3.01.004.900061	A627.2 drum brake front cable	1	A617.2/2+2
	3.01.004.040034	Drum brake front cable 950	1	A617.4/4+2
	3.01.004.900045	A627.6 drum brake front cable	1	A617.6/6+2
	3.01.004.900055	A627.H8 drum brake front cable	1	A617.H8
	3.01.004.900056	Hand brake front cable	1	A617.2G/2+2G
	3.01.004.900073	Hand brake front cable	1	A617.4G/4+2G
7	3.01.004.900077	Hand brake front cable	1	A617.H8G
	3.01.004.040077	Drum brake rear cable	2	
	3.01.004.900057	Hand brake rear cable	2	



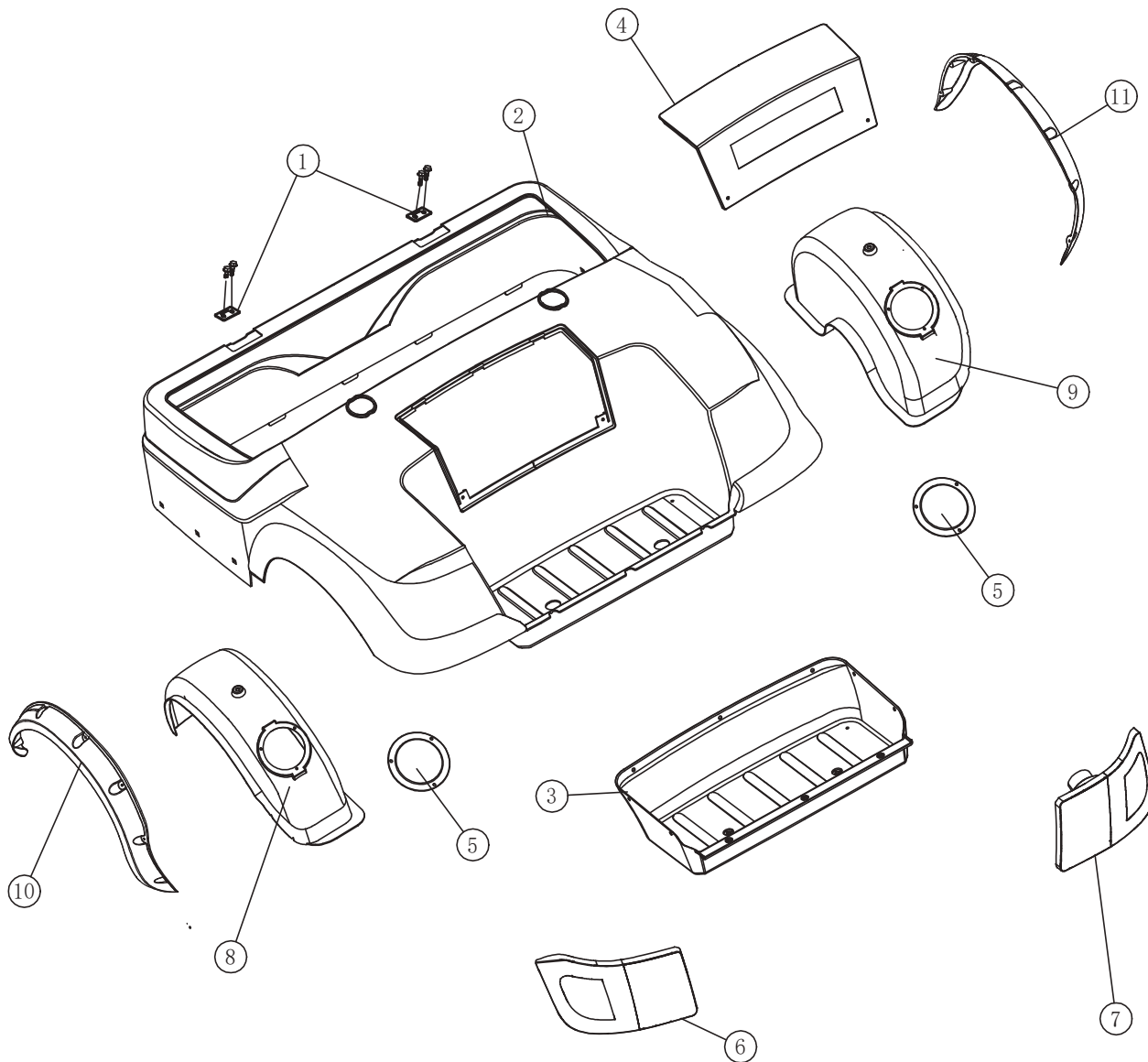
Front body cover(1)

NO:	Code	Name	QTY	Remark
1	3.02.011.300112	A617 Front Cover-B	1	
2	3.02.011.300038	A627 Electric lock cover	1	
3	3.02.011.300058	Front support decoration cover	2	
4	3.02.011.300107	A627 steering column trim cover-C	1	
5	3.02.011.300067	A627 Front dashboard-B	1	
6	3.02.011.300027	A627 Cup base	1	
7	3.02.011.300075	A627 Ball cabinet cover/L	1	
8	3.02.011.300043	A627 Ball cabinet cover/R	1	
9	3.03.001.900060	A617 front head light/L	1	
10	3.03.001.900061	A617 front head light/R	1	
11	3.01.003.110003	Cross recessed flat head tapping screws	6	M5*16
12	3.03.002.000013	Switch F/R	1	
13	3.03.011.000007	Power indicator 48V	1	
14	3.03.002.000027	Key switch	1	
15	2.01.004.010447	A617 front head light controller base	1	
16	3.02.011.300108	A617 front bumper	1	
17	3.01.003.060006	Screw	2	M8*20
18	3.02.011.600100	A627 front fender L	1	
19	3.02.011.600101	A627 front fender R	1	



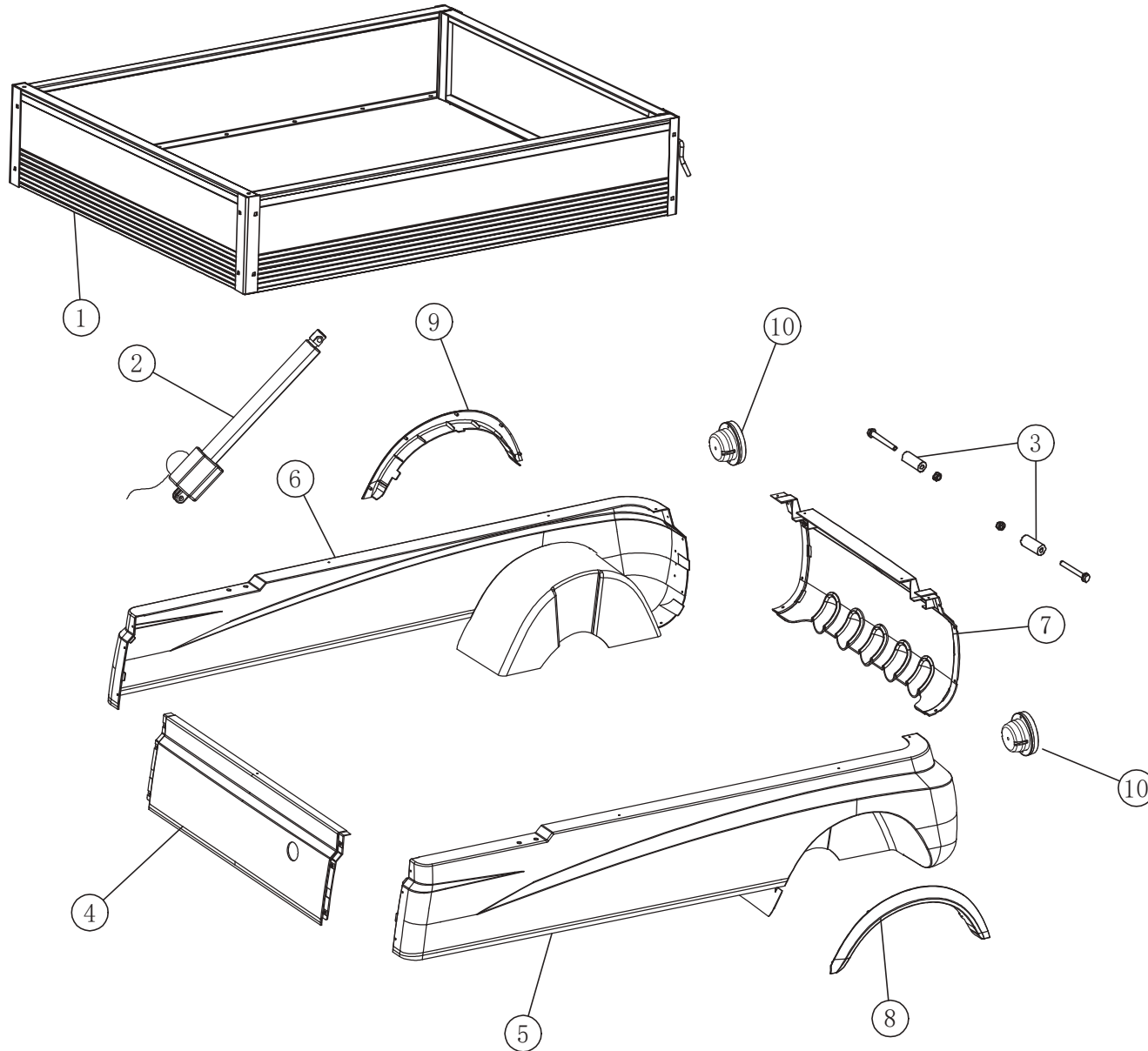
Front body cover(2)

NO:	Code	Name	QTY	Remark
1	3.02.011.300054	Front wheel trims/L	1	
2	3.02.011.300055	Front wheel trims/R	1	
3	3.02.011.900033	A627.2G Front Fender for lifted cart/L	1	
4	3.02.011.900034	A627.2G Front Fender for lifted cart/R	1	



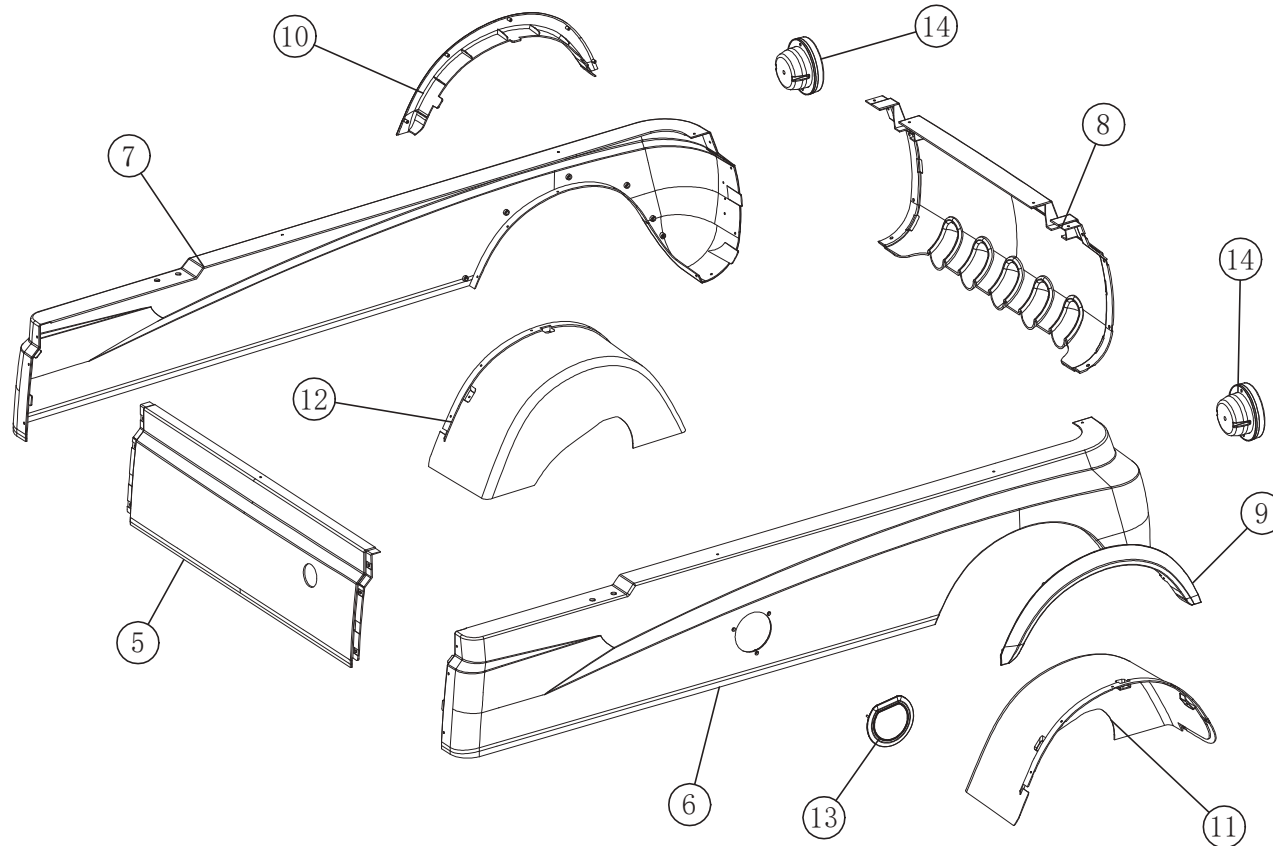
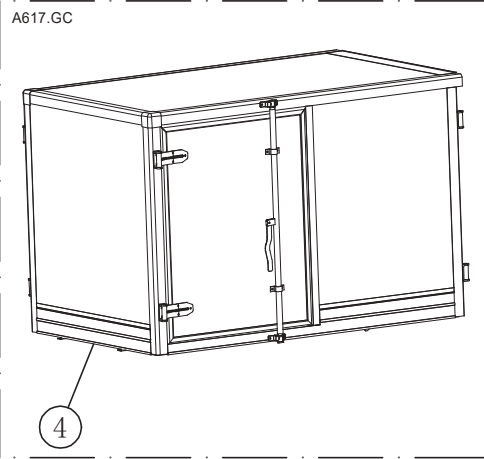
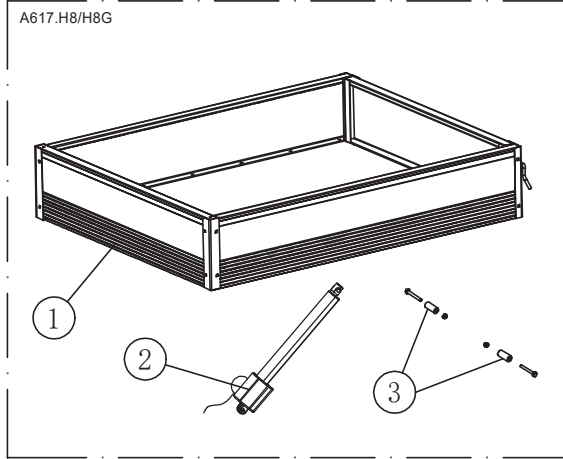
Rear body cover(1)

NO:	Code	Name	QTY	Remark
1	2.01.001.200002	A627 Seat Cushion Hinge down	2	
2	3.02.011.300068	A627 Rear Body cover-B	1	A Y 4
3	3.02.011.300017	A627 Golf bag plate	1	A Y 4
4	3.02.011.300074	A627 Rear body cover board-B	1	A Y 4
5	3.02.011.300064	A627 Repair board for rear light	2	
6	3.03.001.900062	A617 rear light/L	1	
7	3.03.001.900063	A617 rear light/R	1	
8	3.02.011.300062	A627 Rear Fender L-B	1	
	2.02.003.070021	A627.2G Rear Fender for lifted cart/L	1	
9	3.02.011.300063	A627 Rear Fender R-B	1	
	2.02.003.070020	A627.2G Rear Fender for lifted cart/R	1	
10	3.02.011.300056	Rear wheel trims/L	1	A617.2G/4G
	3.02.011.300087	rear wheel trims/L	1	A617.2+2G/4+2G
11	3.02.011.300057	Rear wheel trims/R	1	A617.2G/4G
	3.02.011.300088	rear wheel trims/R	1	A617.2+2G/4+2G



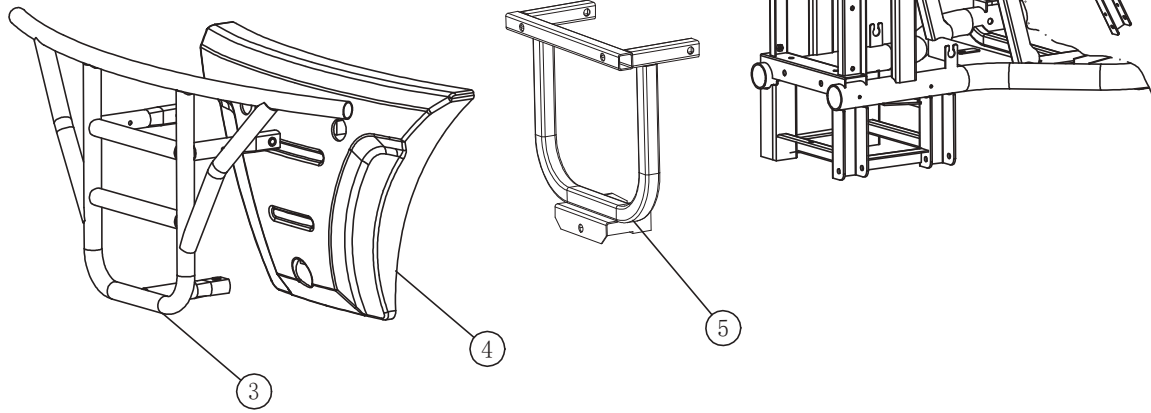
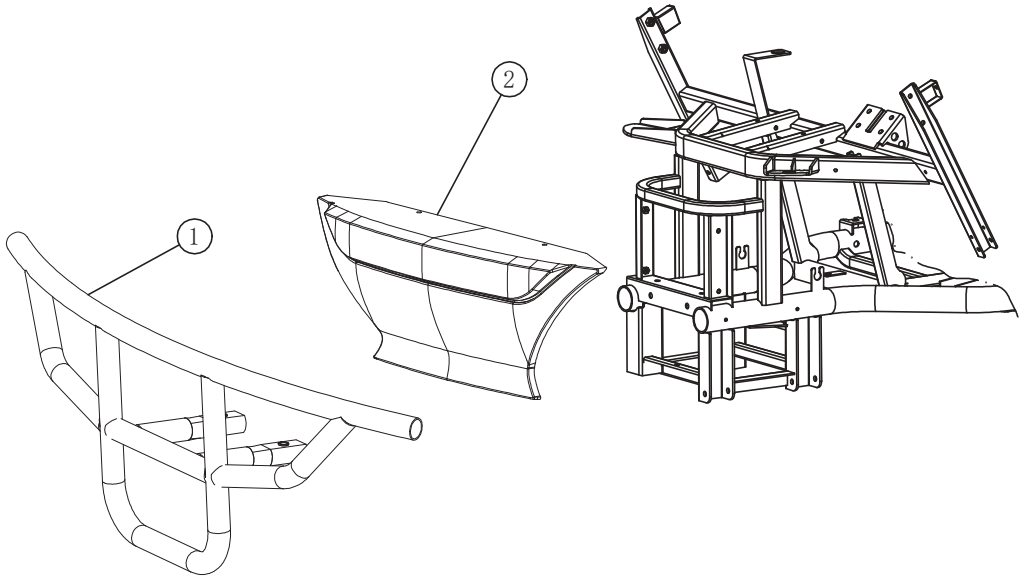
Rear body cover(2)

NO:	Code	Name	QTY	Remark
1	5.01.002.300020	Aluminum cargo box	1	
2	3.01.004.100011	Electrical lift rod	1	
3	3.01.006.000008	Collar	2	Ø20*46
4	2.02.001.020019	H2 rear cover/front	1	
5	2.02.001.020044	H2 rear cover/L	1	
6	2.02.001.020033	H2 rear cover/R	1	
7	3.02.005.020005	H2 rear cover/rear	1	
8	3.02.014.000056	Rear tire decoration cover/L	1	
9	3.02.014.000055	Rear tire decoration cover/R	1	
10	3.03.001.000009	Tail light	2	



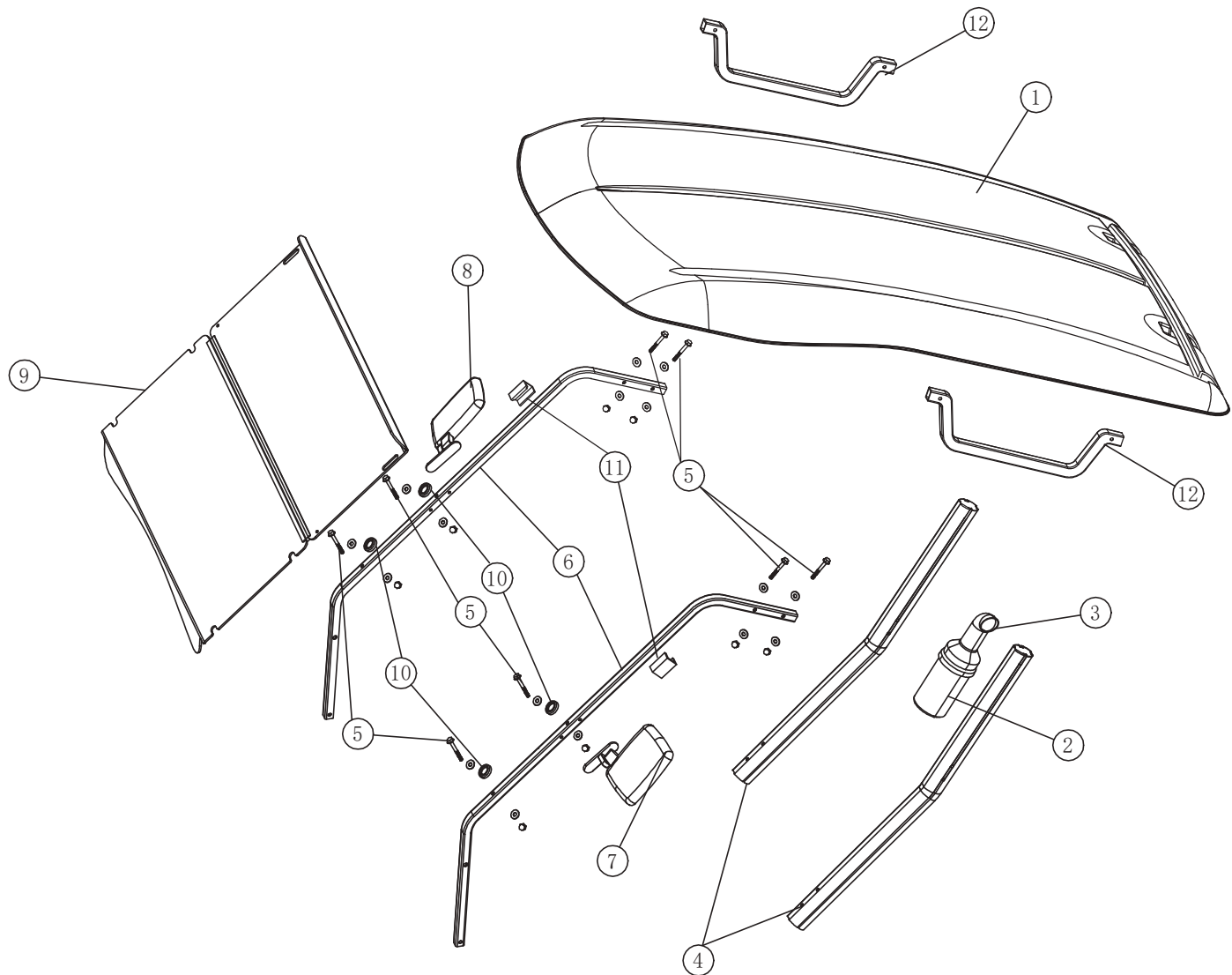
Rear body cover(3)

NO:	Code	Name	QTY	Remark
1	5.01.002.300021	Aluminum cargo box	1	
2	3.01.004.100011	Electrical lift rod	1	
3	3.01.006.000008	Collar	2	Ø20*46
4	3.01.006.000425	Picnic car box	1	
5	3.02.011.900042	H8 rear cover/front	1	A Y 4
6	3.02.011.900044	H8 rear cover/L	1	A Y 4
7	3.02.011.900045	H8 rear cover/R	1	A Y 4
8	3.02.011.900043	H8 rear cover/rear	1	A Y 4
9	3.02.011.900048	Rear tire decoration cover/L	1	A617.H8/GC
	3.02.011.300091	Front wheel trims/L	1	A617.H8G
10	3.02.011.900049	Rear tire decoration cover/R	1	A617.H8/GC
	3.02.011.300092	Front wheel trims/R	1	A617.H8G
11	3.02.011.900046	Rear Fender L	1	A617.H8/GC
	3.02.011.900050	Rear Fender L	1	A617.H8G
12	3.02.011.900047	Rear Fender R	1	A617.H8/GC
	3.02.011.900051	Rear Fender R	1	A617.H8G
13	3.02.011.900052	Rear cover observation window	1	A Y 4
14	3.03.001.000009	Tail light	2	



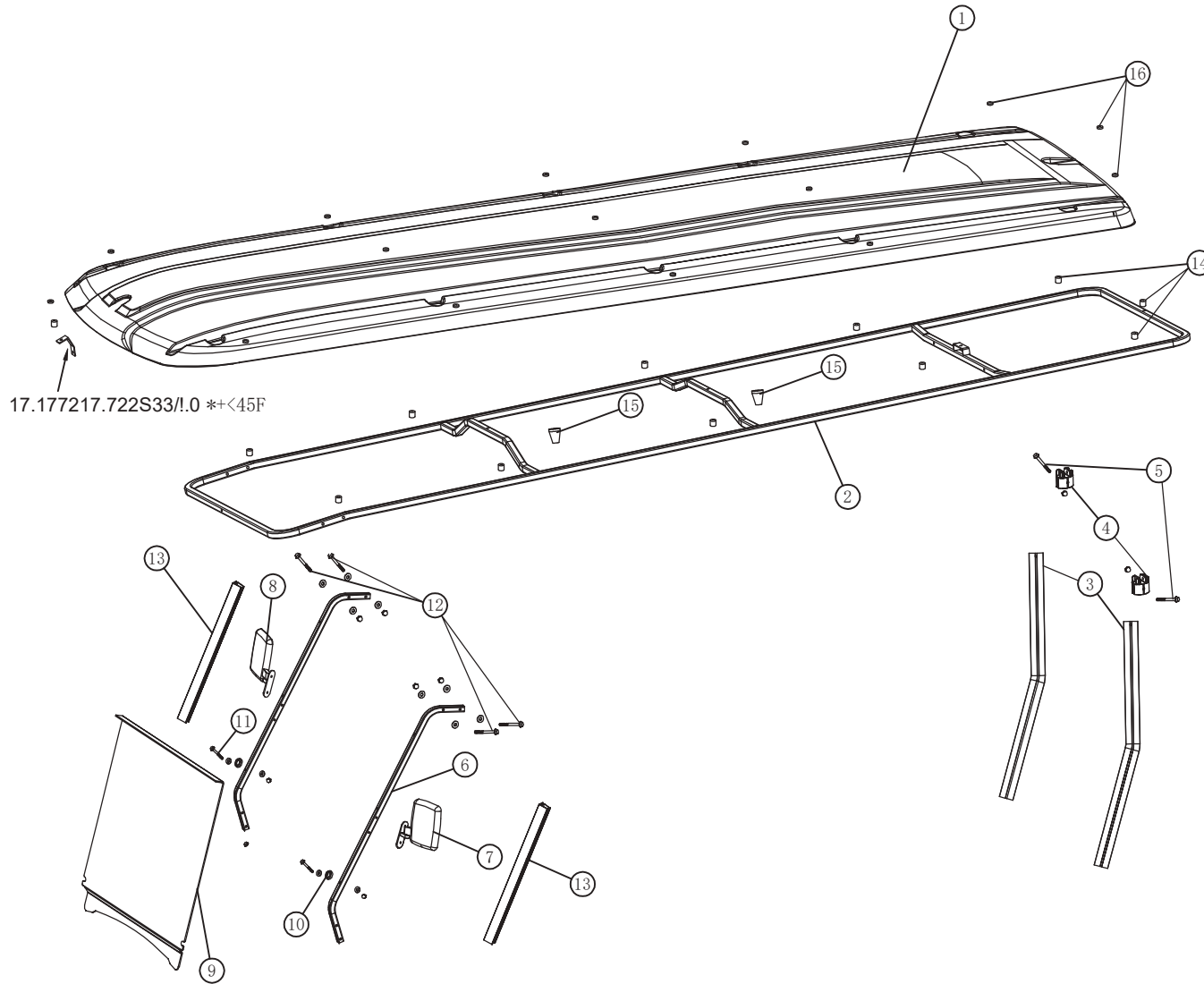
Front bumper

NO:	Code	Name	QTY	Remark
1	2.02.004.210013	A627.2G front bumper for lifted cart	1	
2	3.02.011.300065	A627 front bumper	1	
3	2.01.004.040034	A627 front bumper for lifted cart	1	
4	3.02.014.000162	A627.2G front bumper for lifted cart	1	
5	2.01.004.040035	A627.2G front bumper fixed	1	



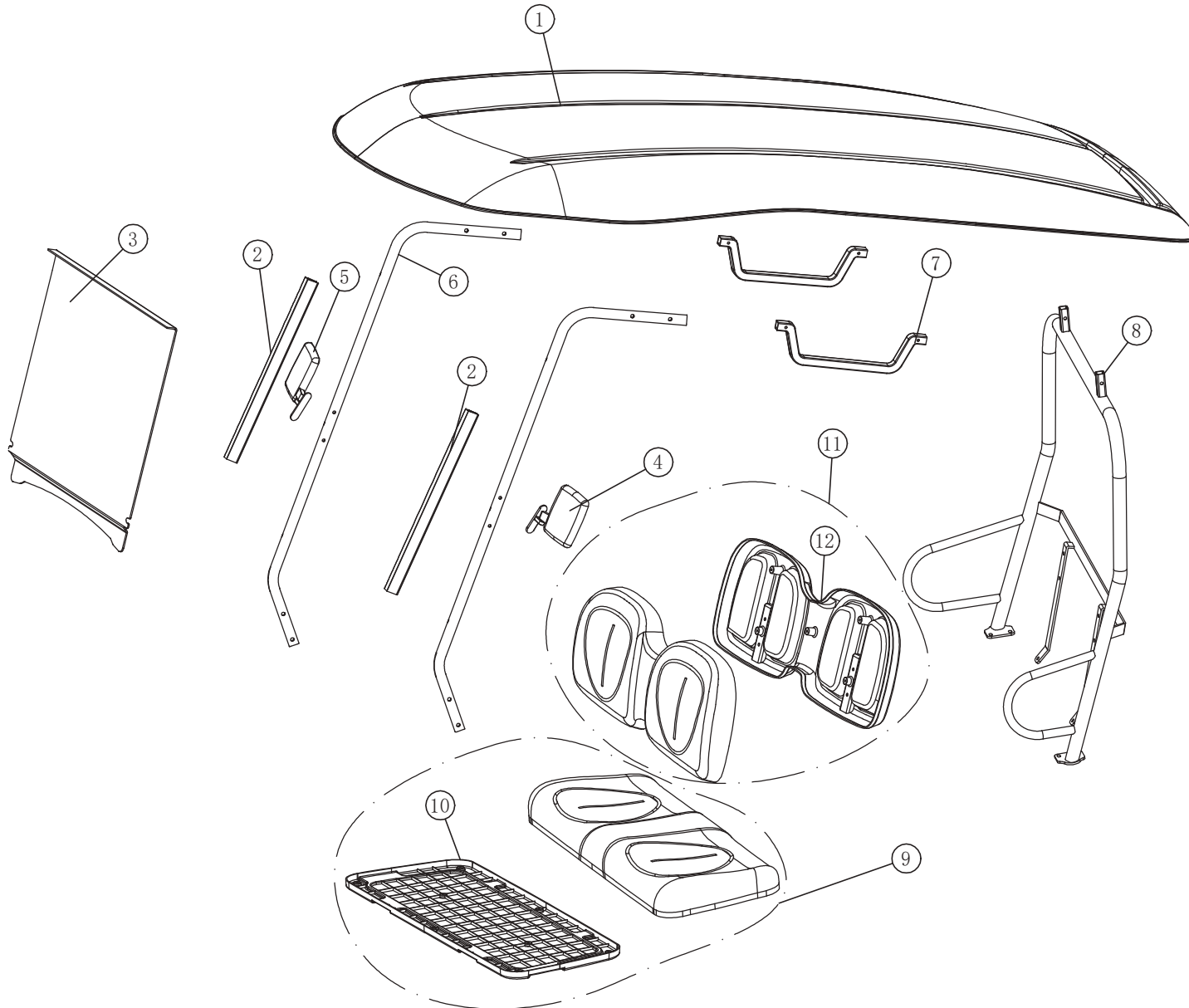
Top roof (1)

NO:	Code	Name	QTY	Remark
1	2.02.001.150010	A627.2 Top roof	1	
2	3.02.014.000134	Sand barrels(outer)	1	
3	3.02.014.000135	Sand barrels(inter)	1	
4	2.01.004.010334	A627.2 Top roof rear support	2	Z [4
5	3.01.003.060023	Screw	8	M8*45
6	2.01.004.210025	A627.2 Windshield support-B	2	
7	3.02.013.000026	627 Side mirror/L	1	
8	3.02.013.000024	627 Side mirror/R	1	
9	3.02.012.000153	A627.2 foldable windshield	1	
10	3.02.012.000059	Fold windshield rubber	4	
11	3.02.012.000051	Windshield retain rubber	2	
12	3.02.011.200006	A-U Roof Handle	2	



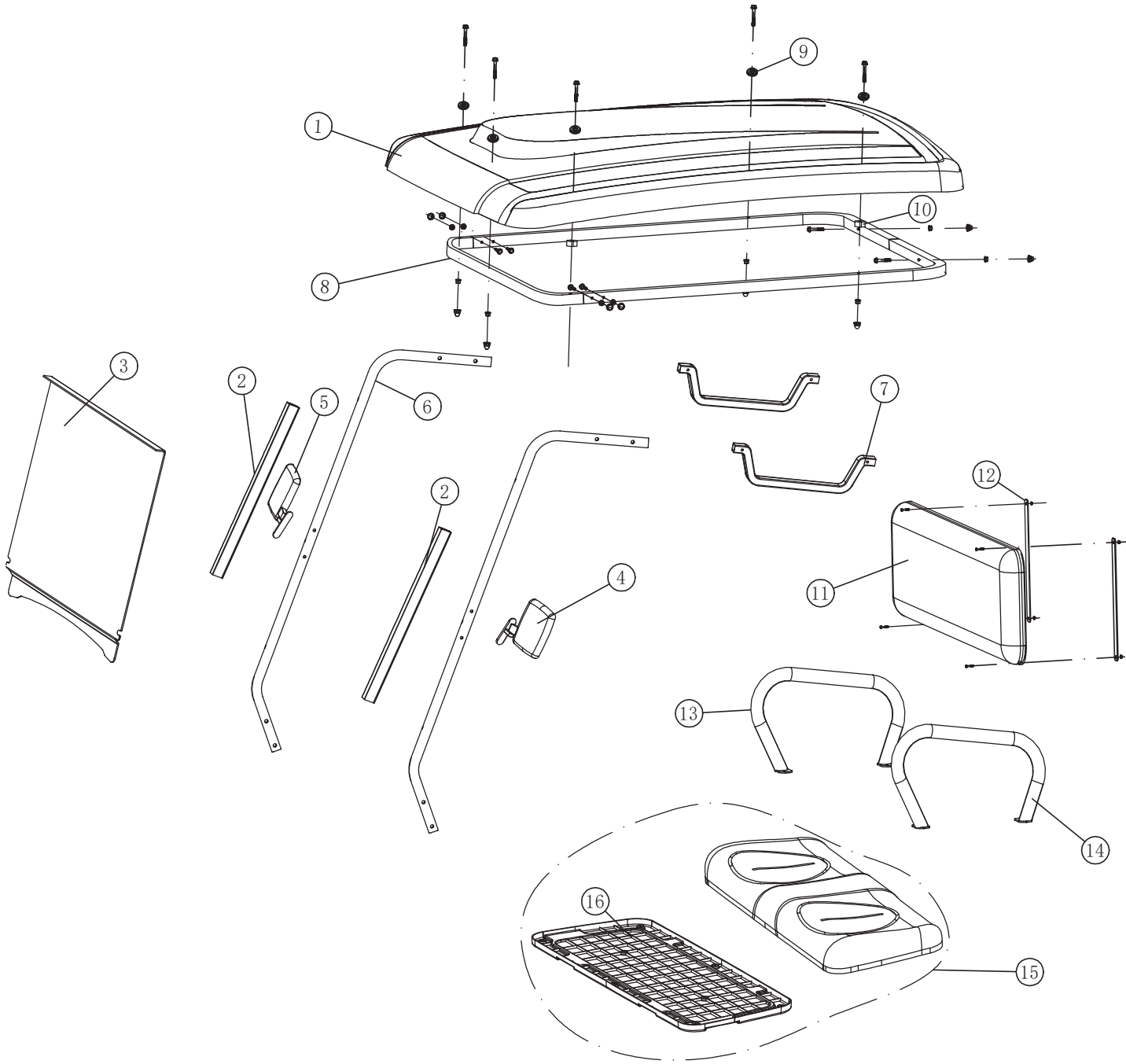
Top roof (2)

NO:	Code	Name	QTY	Remark
1	2.02.001.180024	A617.4 Top roof	1	A617.2+2G
	2.02.001.180025	A617.6 Top roof	1	A617.2+2G
	2.02.001.500001	A617.6+2 Top roof	1	A617.6+2
2	2.01.004..210020	A627.2+2 Top roof support	1	A617.2+2G/4G
	2.01.007.800042	A617.4+2 Top roof support	1	A617.2+2G
	2.01.007.800043	A617.6+2 Top roof support	1	A617.6+2
3	2.01.004.010333	A627 Top roof rear support	2	
4	3.02.011.300053	Connecting seat to top roof rear support	2	
5	3.01.003.060035	Screw	2	M8*70
6	2.01.004.210026	A627.2+2 Windshield support-B	2	
7	3.02.013.000026	A627 Side mirror/L	1	
8	3.02.013.000024	A627 Side mirror/R	1	
9	3.02.012.000155	A627.2+2 Windshield	1	
10	3.02.012.000059	Fold windshield rubber	2	
11	3.01.003.060023	Screw	2	M8*45
12	3.01.003.060031	Screw	4	M8*60
13		Windshield retain clip	2	730
14	3.02.011.000041	Top roof rubber column	8	A617.2+2/4
			11	A617.4+2G
			13	A617.6+2
15	3.02.011.000036	Top roof column	1	A617.2+2G/4G
			2	A617.6+2
16	3.02.011.000040	Top roof rubber collar	9	A617.2+2G/4G
			12	A617.2+2G
			15	A617.6+2



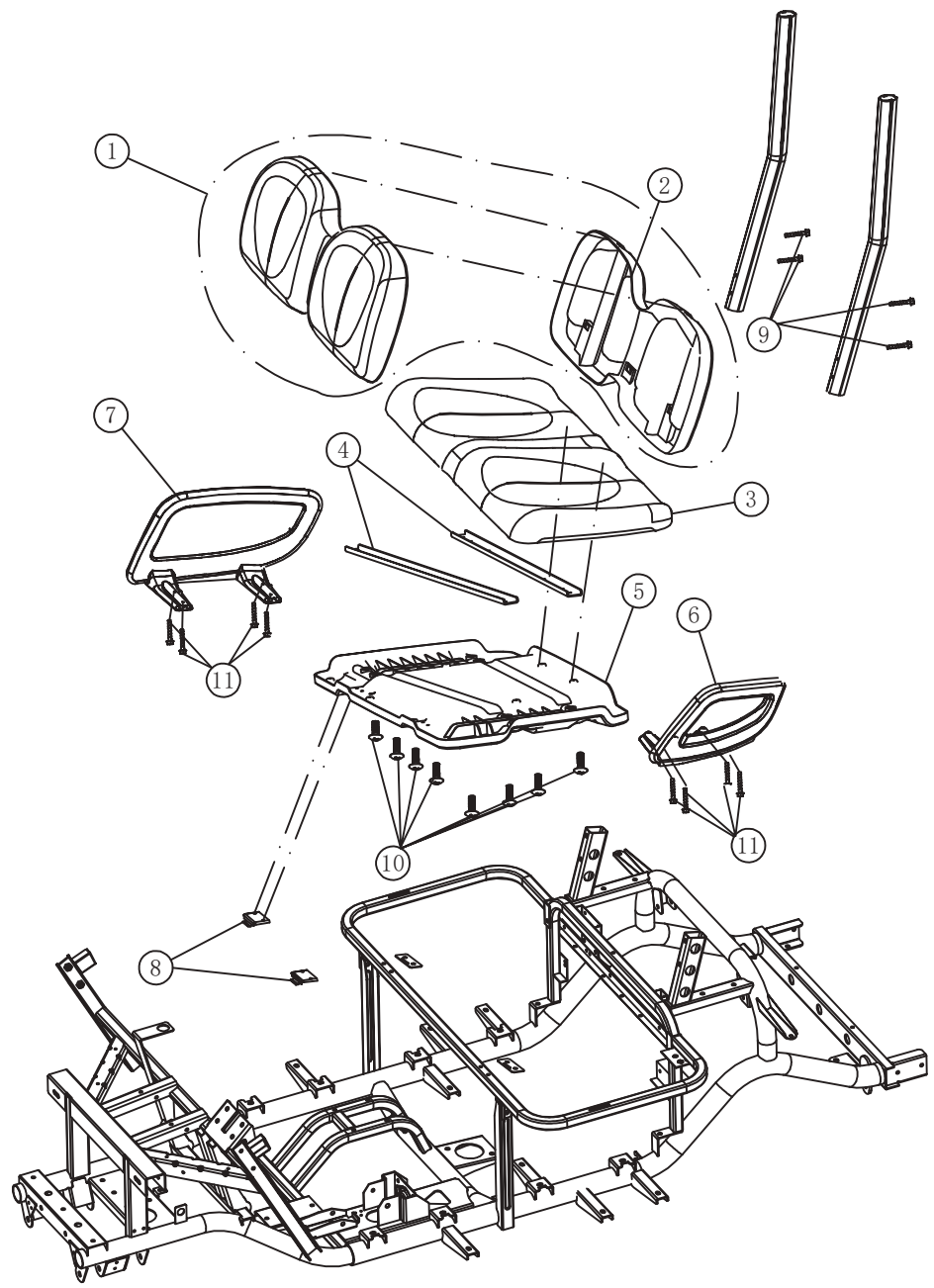
Top roof (3)

NO:	Code	Name	QTY	Remark
1	2.02.001.110002	A-U2 top roof	1	
2	3.02.012.000040	Windshield retain clip	2	730mm
3	3.02.012.000165	A627.2 windshield	1	
4	3.02.013.000026	A627 Side mirror/L	1	
5	3.02.013.000024	A627 Side mirror/R	1	
6	2.01.007.800072	A627.H windshield frame	2	
7	3.02.011.200006	A-U Roof Handle	2	
8	2.01.007.800073	A627.H rear support	1	
9	2.02.007.010023	A627 rear seat cushion	1	
10	3.02.011.300041	A627 front seat armrest	1	
11	2.02.007.010024	A627 rear seat back	1	
12	3.02.011.300028	A627 rear seat back cover	1	



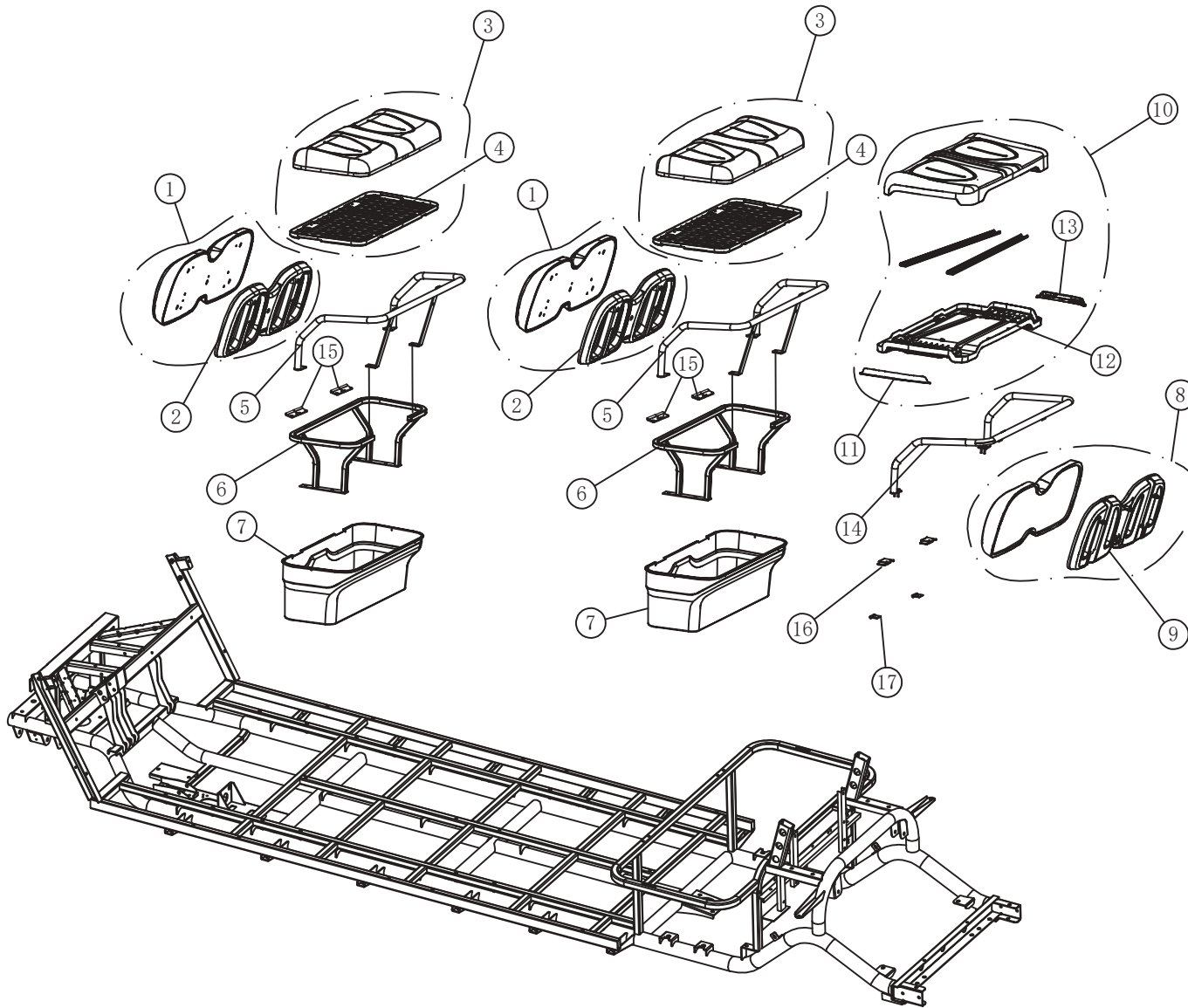
Top roof (4)

NO:	Code	Name	QTY	Remark
1	2.02.001.010248	A2.GC top roof	1	
2	3.02.012.000040	Windshield retain clip	2	730mm
3	3.02.012.000165	A627.2 windshield	1	
4	3.02.013.000026	A627 Side mirror/L	1	
5	3.02.013.000024	A627 Side mirror/R	1	
6	2.01.007.800069	A627.GC windshield frame	2	
7	3.02.011.200006	A-U Roof Handle	2	
8	2.01.004.030051	A627.GC top roof support	1	
9	3.02.011.000040	Top roof rubber collar	5	
10	3.02.011.000041	Top roof rubber column	5	
11	3.02.006.000122	Rear seat back	1	
12	2.01.004.030050	A2.GC seat back base	2	
13	2.01.004.030048	A2.GC armrest/R	1	
14	2.01.004.030049	A2.GC armrest/L	1	
15	2.02.007.010023	A627 rear seat cushion	1	
16	3.02.011.300041	A627 front seat armrest	1	



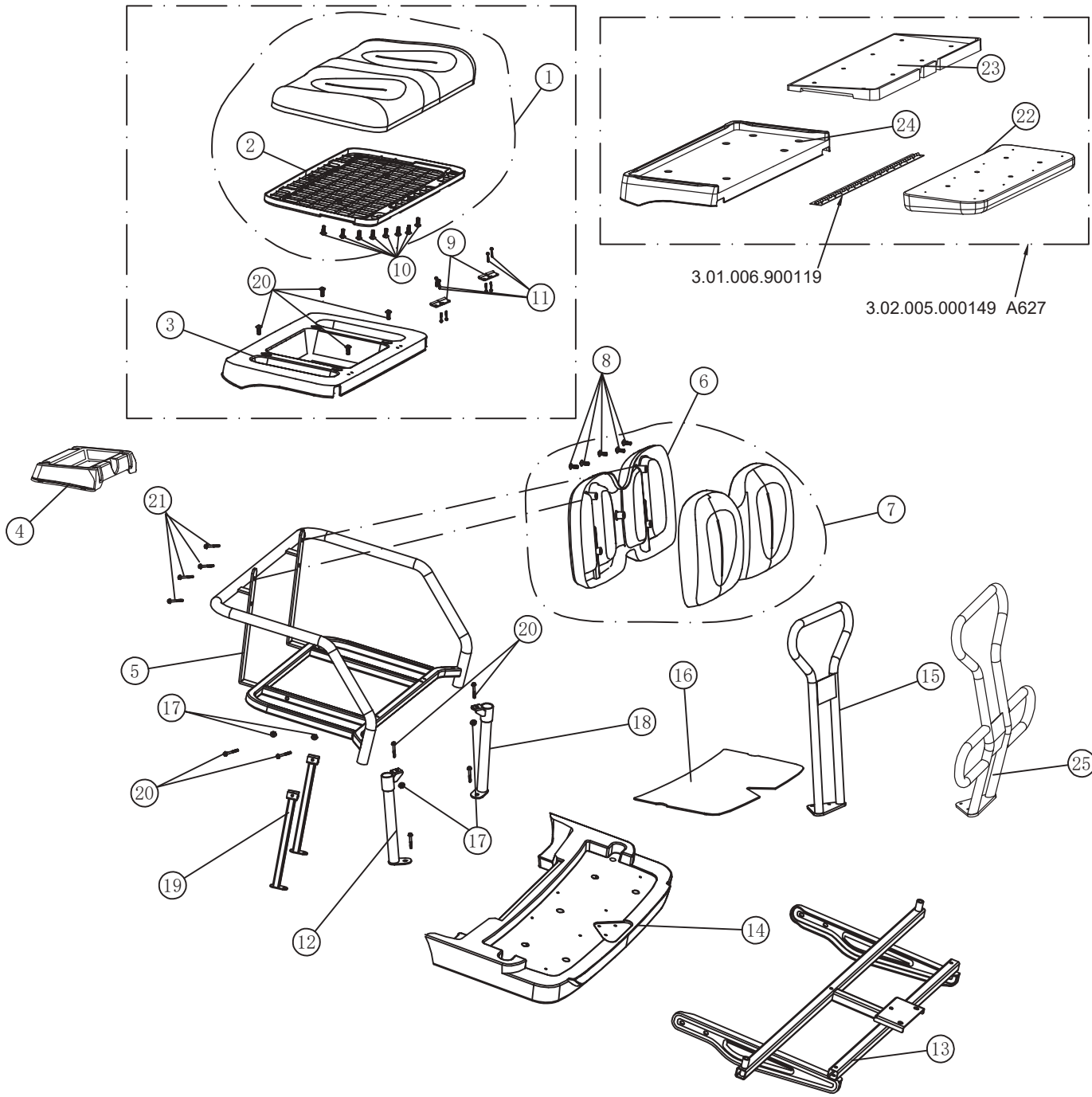
Seat parts(1)

NO:	Code	Name	QTY	Remark
1	2.02.007.010035	A627 Seat back	1	
2	3.02.011.300076	A627 Back cover-B	1	
3	2.02.007.010091	A627 Cushion	1	
4	2.02.007.010091	A627 Cushion stiffener	2	
5	3.02.011.300078	A627 Cushion baseboard-B	1	
6	3.02.011.300079	A627 Cushion armrest/L-B	1	
7	3.02.011.300026	A627 Cushion armrest/R	1	
8	2.01.001.200001	A627 Seat Cushion hinge up	2	
9	3.01.003.060035	Screw	4	M8*70
10	3.01.003.060013	Screw	10	M6*30
11	3.01.003.060022	Screw	8	M6*45



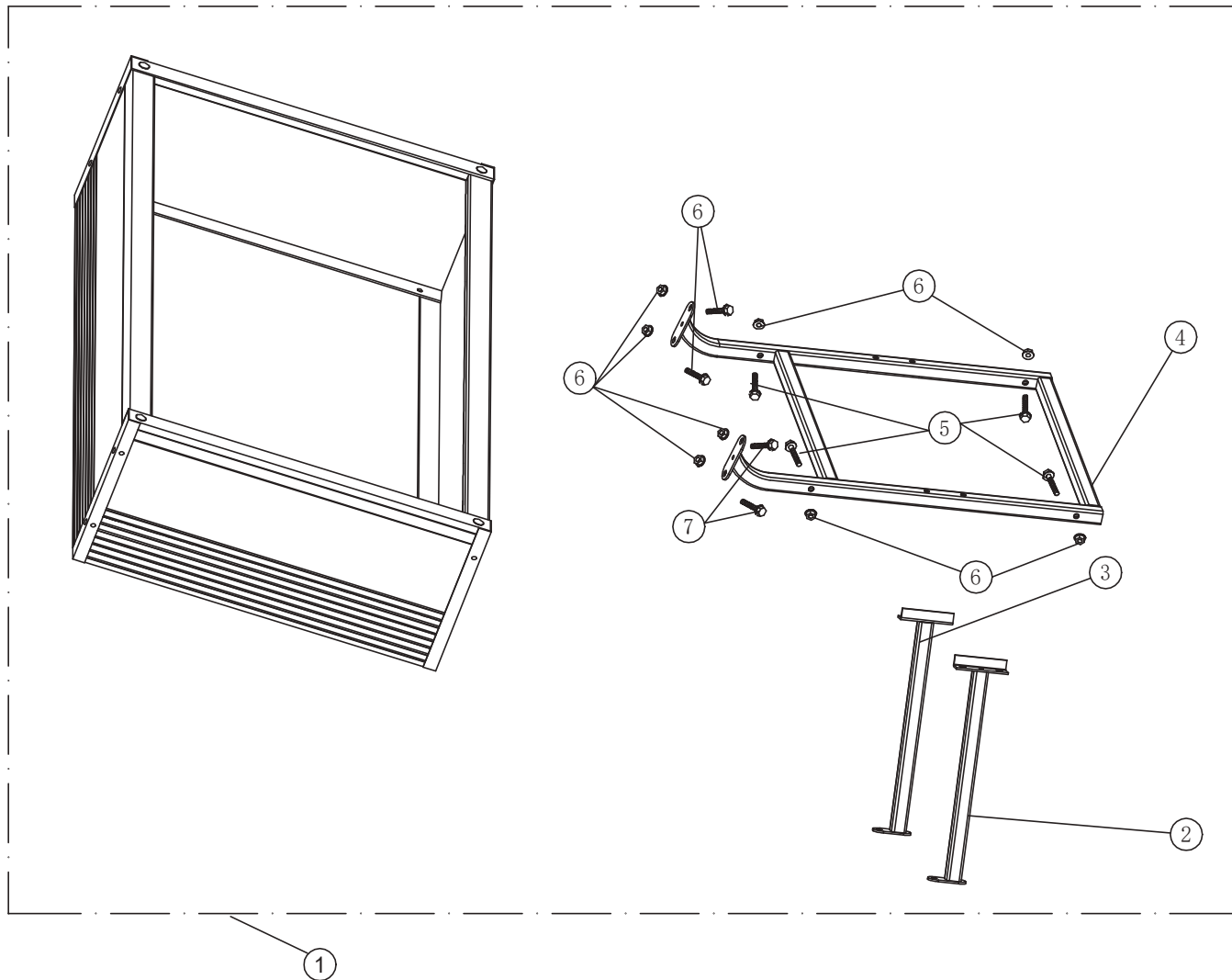
Seat parts(2)

NO:	Code	Name	QTY	Remark
1	2.02.007.010024	A627 rear seat back	1	A617.4G/4+2G
			2	A617.6/6+2
2	3.02.011.300028	A627 rear seat back cover	1	A617.4G/4+2G
			2	A617.6/6+2
3	2.02.007.010023	A627 rear seat cushion	1	A617.4G/4+2G
			2	A617.6/6+2
4	3.02.011.300041	A627 rear seat cushion board	1	A617.4G/4+2G
			2	A617.6/6+2
5	2.01.004.210005	A627 front seat armrest	1	A617.4G/4+2G
			2	A617.6/6+2
6	2.01.007.800041	Seat box support	1	A617.4G/4+2G
			2	A617.6/6+2
7	2.02.001.190004	Seat box	1	A617.4G/4+2G
			2	A617.6/6+2
8	2.02.007.010035	A627 Seat back	1	
9	3.02.011.300076	A627 Back cover-B	1	
10	2.02.007.010034	A627 Cushion-B	1	
11	3.02.011.300082	A627 Cushion baseboard decoration cover/L	1	
12	3.02.011.300078	A627 Cushion baseboard-B	1	
13	3.02.011.300083	A627 Cushion baseboard decoration cover/R	1	
14	2.01.007.800062	A627 rear seat armrest	1	
15	3.01.006.200090	Seat Cushion hinge	2	A617.4/4+2
			4	A617.6/6+2
16	2.01.001.200001	A627 Seat Cushion hinge up	2	
17	2.01.001.200002	A627 Seat Cushion Hinge down	2	



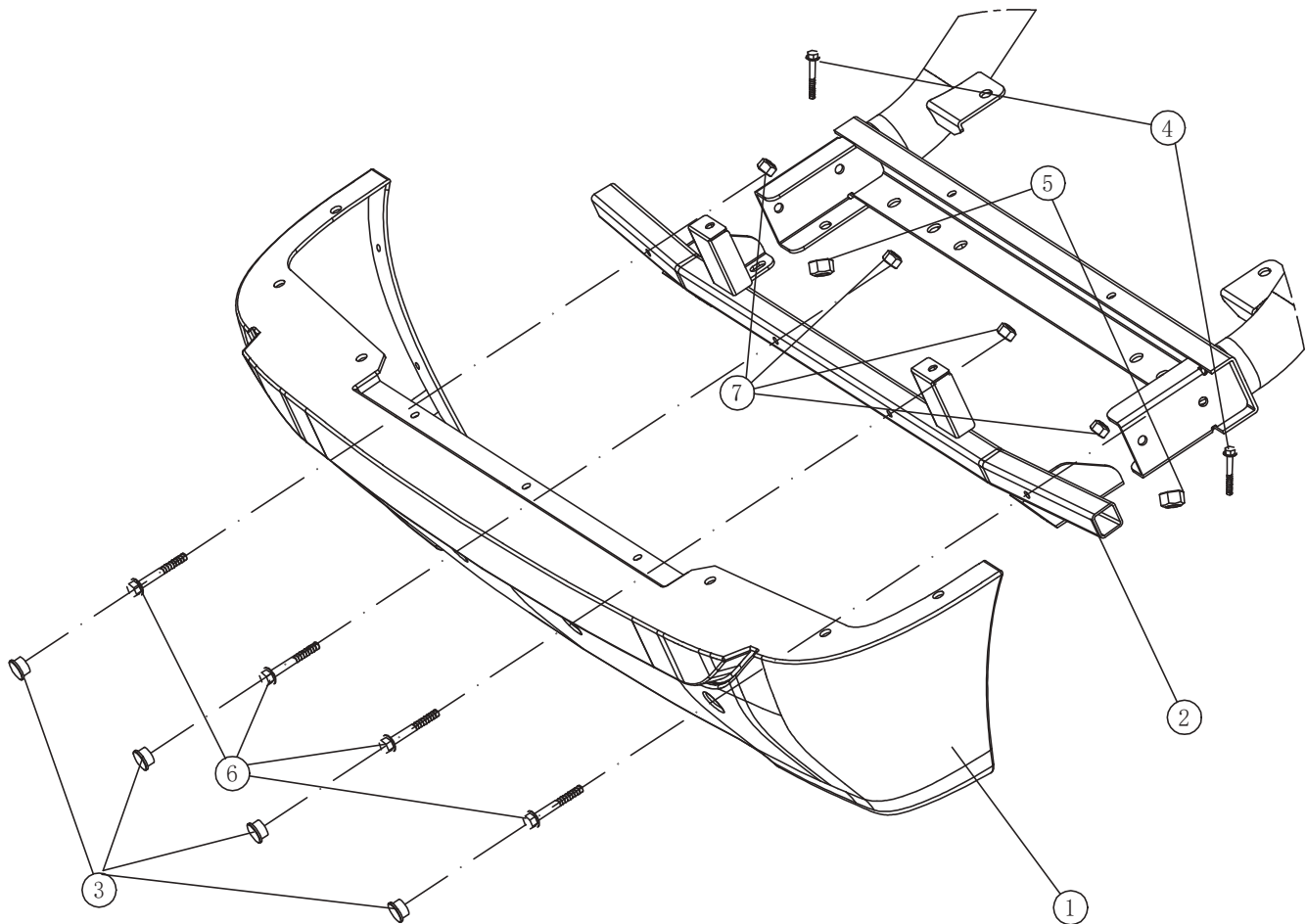
Rear seat parts

NO:	Code	Name	QTY	Remark
1	2.02.007.010023	A627 rear seat cushion	1	
2	3.02.011.300041	A627 rear seat cushion board	1	
3	3.02.011.300040	A627 rear seat plastic storage box/big	1	
4	3.02.011.300039	A627 rear seat plastic storage box/small	1	
5	2.01.004.210003	A627 rear seat bottom frame	1	
6	3.02.011.300028	A627 Cushion armrest/R	1	
7	2.02.007.010024	A627 rear seat back	1	
8	3.01.003.110002	Screw	5	M6*15
9	3.01.006.200090	Seat Cushion hinge	2	
10	3.01.003.060005	Screw	8	M6*20
11	3.01.003.040015	Screw	4	M6*40
12	2.01.004.210017	A627 padel underframe rear support/L	1	
13	2.01.004.210004	A627 Caddie padel bottom frame	1	
14	3.02.011.300035	A627 Caddie padel	1	
15	2.01.007.800027	A627 rear seat armrest	1	
16	2.02.007.010025	A627 Caddie padel rubber	1	
17	3.01.003.100014	Screw	10	M8
18	2.01.004.210018	A627 padel underframe rear support/R	1	
19	2.01.004.210083	A627 rear seat front support	2	
20	3.01.003.060023	Screw	10	M8*45
21	3.01.003.060011	Screw	4	M8*25
22	3.02.005.000132	A627 foldable rear seat cushion	1	
23	3.02.011.300089	A627 foldable rear seat turner board	1	
24	3.02.011.300123	A627 foldable rear seat bottom plate	1	
25	2.01.007.800059	A627 foldable rear seat armrest	1	



Swiss box parts

NO:	Code	Name	QTY	Remark
1	2.03.001.000141	A627 Swiss box assy	1	
2	2.01.007.800051	Cargo holder backstay/L	1	
3	2.01.007.800061	cargo holder backstay/R	1	
4	2.01.007.800046	A627 Box support	1	
5	3.01.003.060016	Screw	4	M8*35
6	3.01.003.100014	Nut	8	M8
7	3.01.003.060048	Screw	4	M8*16

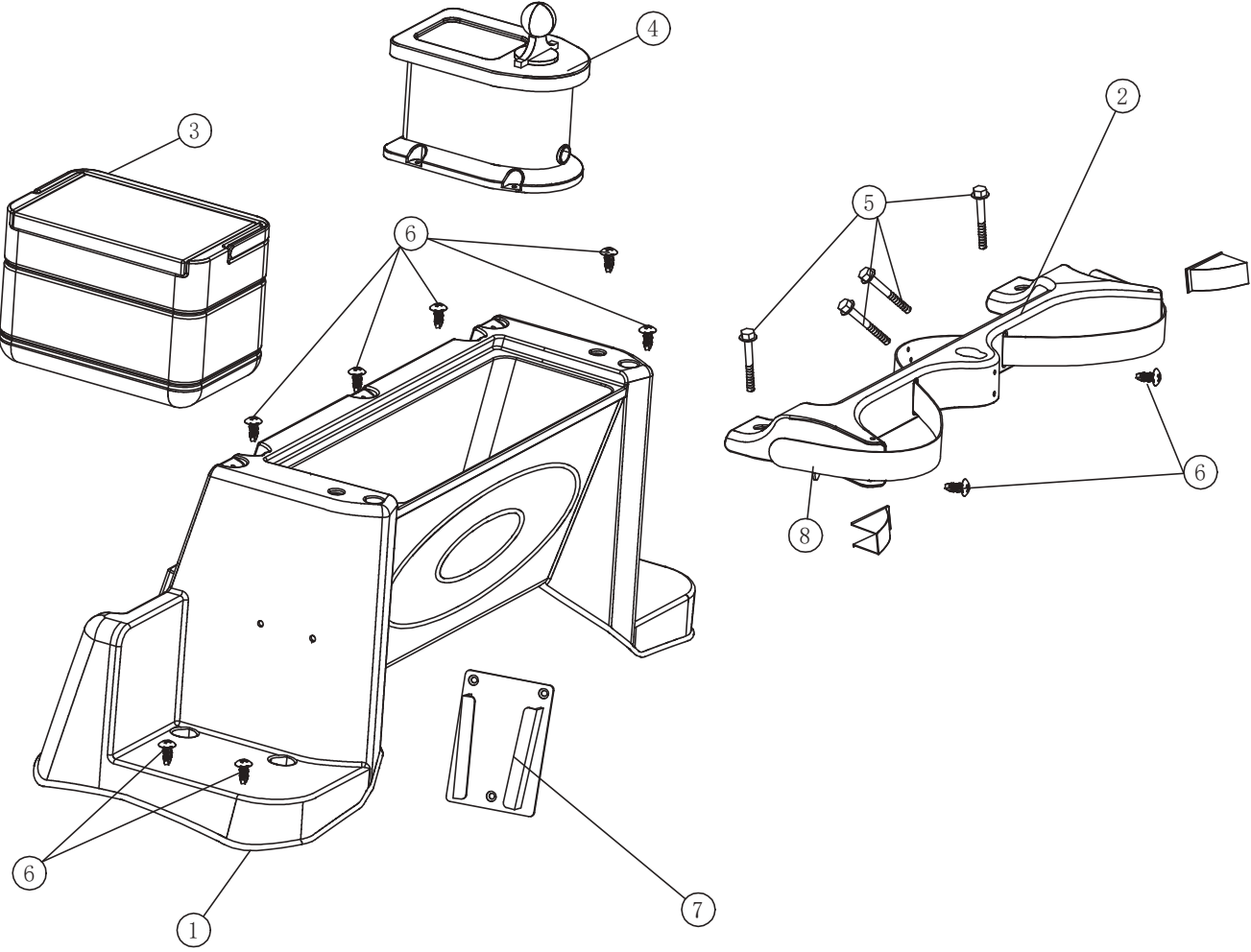


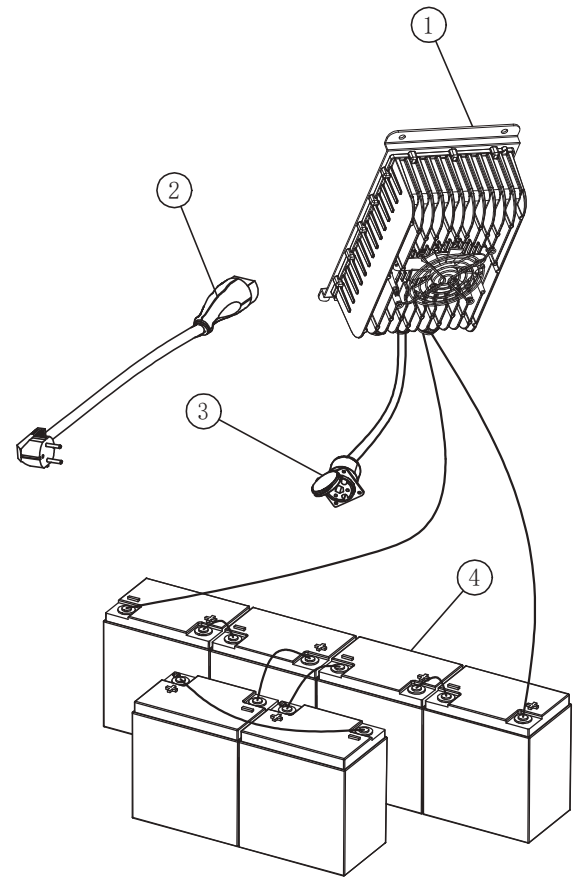
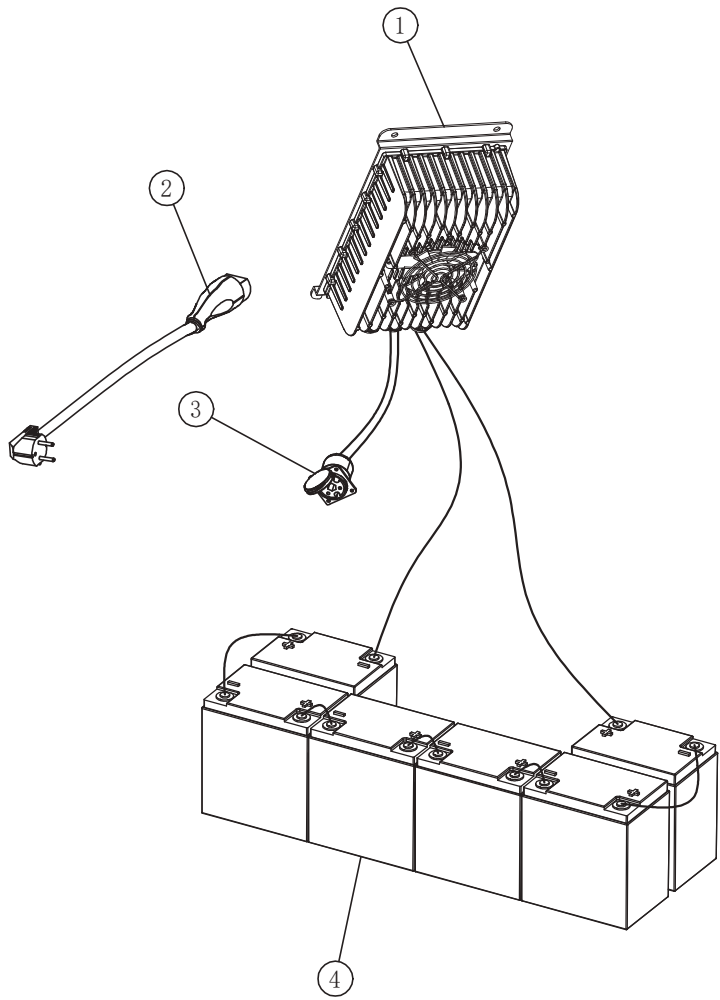
Rear bumper

NO:	Code	Name	QTY	Remark
1	3.02.011.300071	A627 Rear bumper	1	
2	2.01.004.210010	Rear bumper fix frame	1	
3	3.02.011.300072	Rear bumper plug cover	1	
4	3.01.003.060006	Screw	2	M8*20
5	3.01.003.100010	Hexagon nuts	2	M8
6	3.01.003.040015	Screw	4	M6*40
7	3.01.003.100013	Nut	4	M6

Golf bag parts

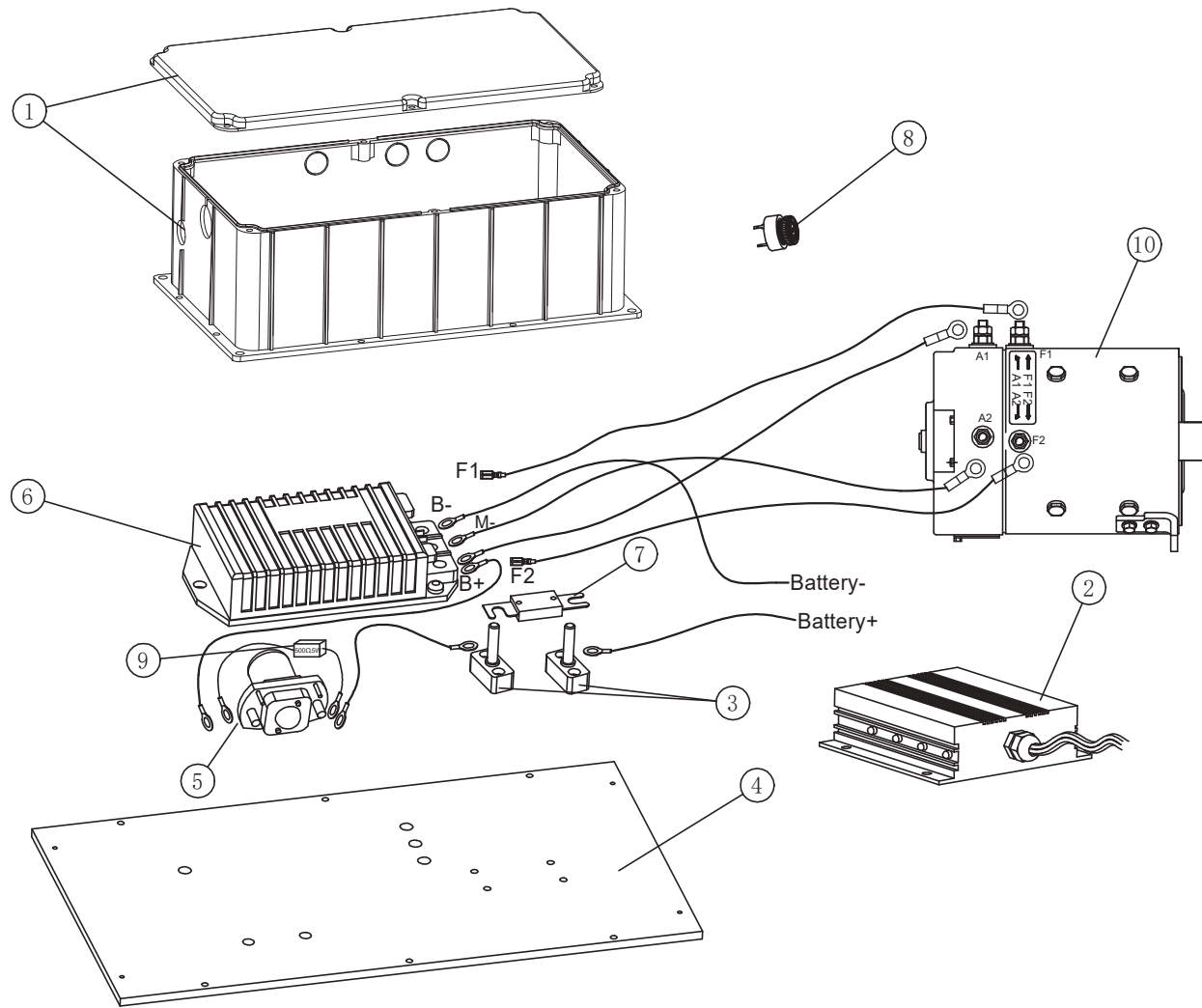
NO:	Code	Name	QTY	Remark
1	3.02.011.300077	Golf bag box-B	1	A Y 4
2	3.02.011.300034	Golf bag support	1	A Y 4
3	3.02.014.000136	Cool box / C	1	
4	3.01.006.000152	Ball washer	1	
5	3.01.003.060005	Screw	4	M6*20
6	3.01.003.110007	Cross recessed flat head tapping screws	9	M6*25
7	2.01.007.800009	Cool Box Support	1	
8	3.02.014.000086	Golf bag belt	1	





Battery system(2)

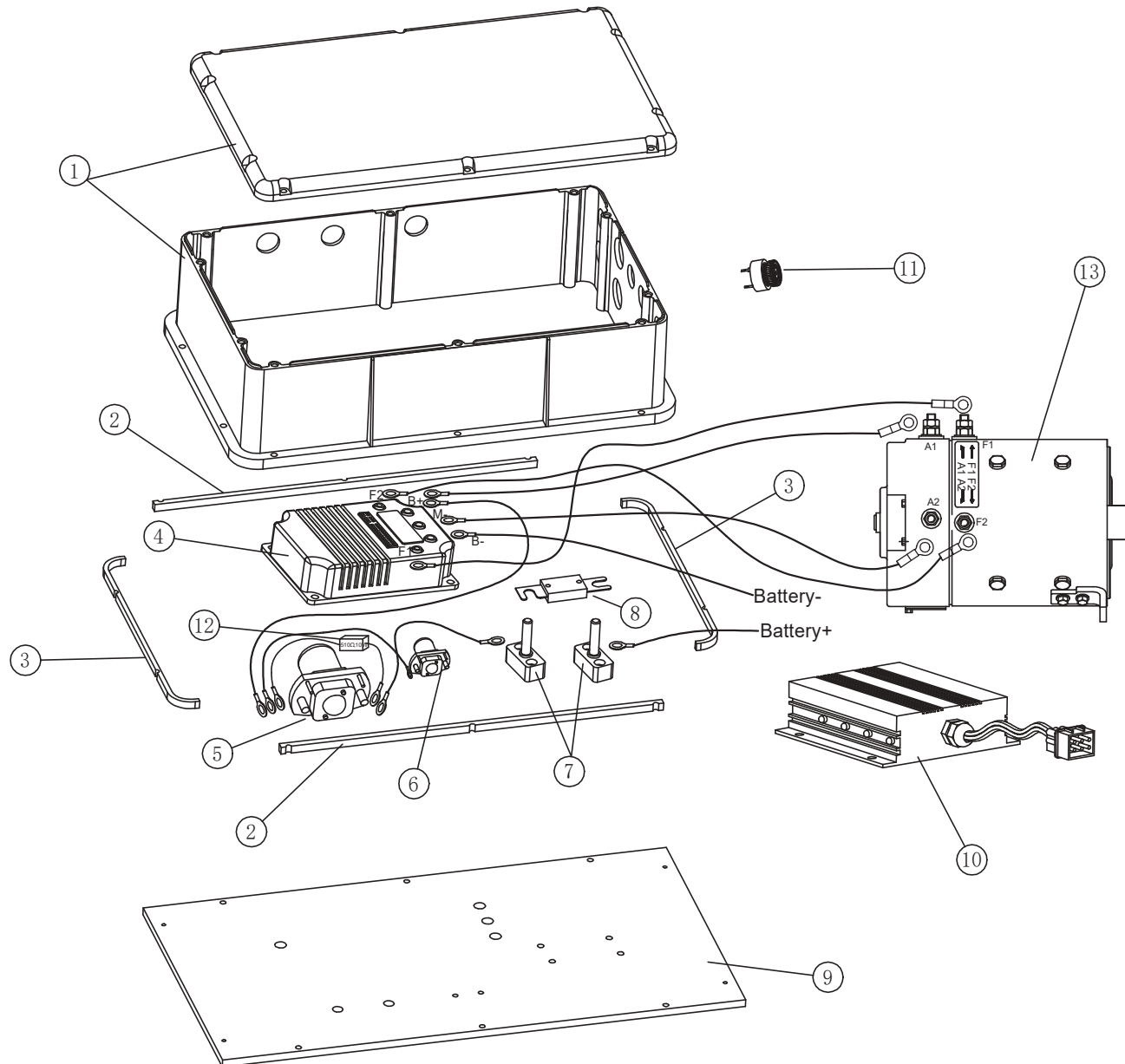
NO:	Code	Name	QTY	Remark
1	3.03.009.000089	48Vcharger	1	
2	3.03.009.900013	Charger plug	1	3 4 = 32A
3	3.03.009.900014	Charger receptacle	1	3 4 = 32A
4	3.03.006.000049	Battery	6	8V/150AH



DC system(1)

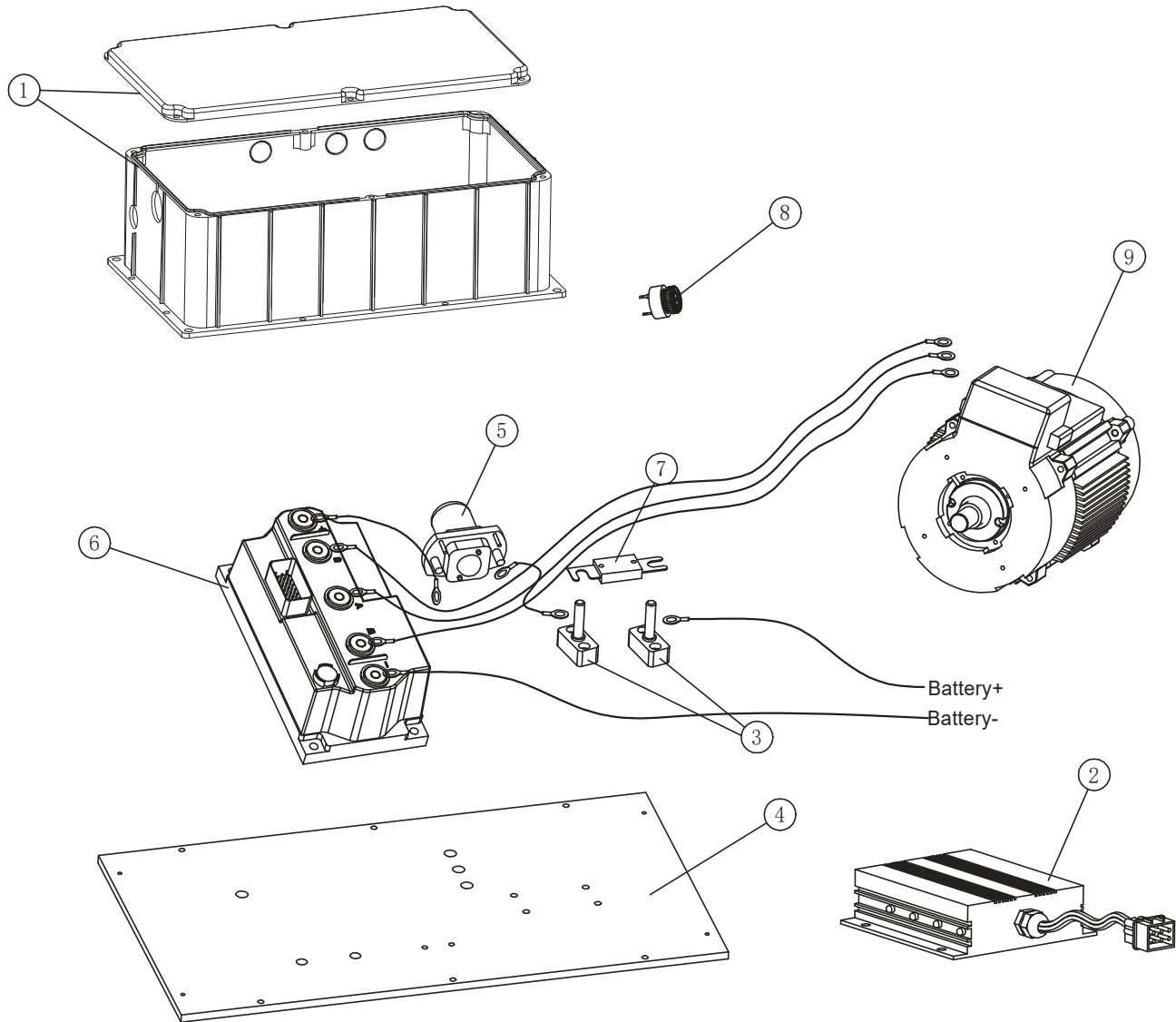
NO:	Code	Name	QTY	Remark
1	3.02.014.000104	Controller cover top	1	
2	3.03.016.000001	DC/DC convertor	1	48V/300W
3	3.03.017.000012	Fuse base	2	
4	2.02.007.010065	Curtis heatsink board	1	350*200*20t
5	3.03.015.000001	48V sensor	1	ZJ200A
6	3.03.003.000020	Curtis controller 1266A-5201	1	48V-275A
7	3.03.017.000019	Fuse 200A	1	
8	3.03.010.000004	Buzzer48V	1	
9	3.03.017.000022	Resistance	1	5W
10	3.03.007.000006	ADC DC motor48V-3.7KW / Import	1	10~

DC system(2)



NO:	Code	Name	QTY	Remark
1	3.02.014.000101	Controller cover top	1	
2	3.02.014.000102	Controller cover base1	2	
3	3.02.014.000103	Controller cover base2	2	
4	3.03.003.000005	Curtis controller 1268-5403	1	
5	3.03.015.000001	48V sensor	1	ZJ200A
6	3.03.015.000003	48V sensor	1	ZJ50A
7	3.03.017.000012	Fuse base	2	
8	3.03.017.000020	Fuse 250A	1	
9	2.02.007.010030	Curtis heatsink board 1268	1	
10	3.03.016.000001	DC/DC convertor	1	48V/300W
11	3.03.010.000004	Buzzer48V	1	
12	3.03.017.000060	Resistance	1	10W
13	3.03.007.000006	ADC DC motor48V-3.7KW / Import	1	10-

48V

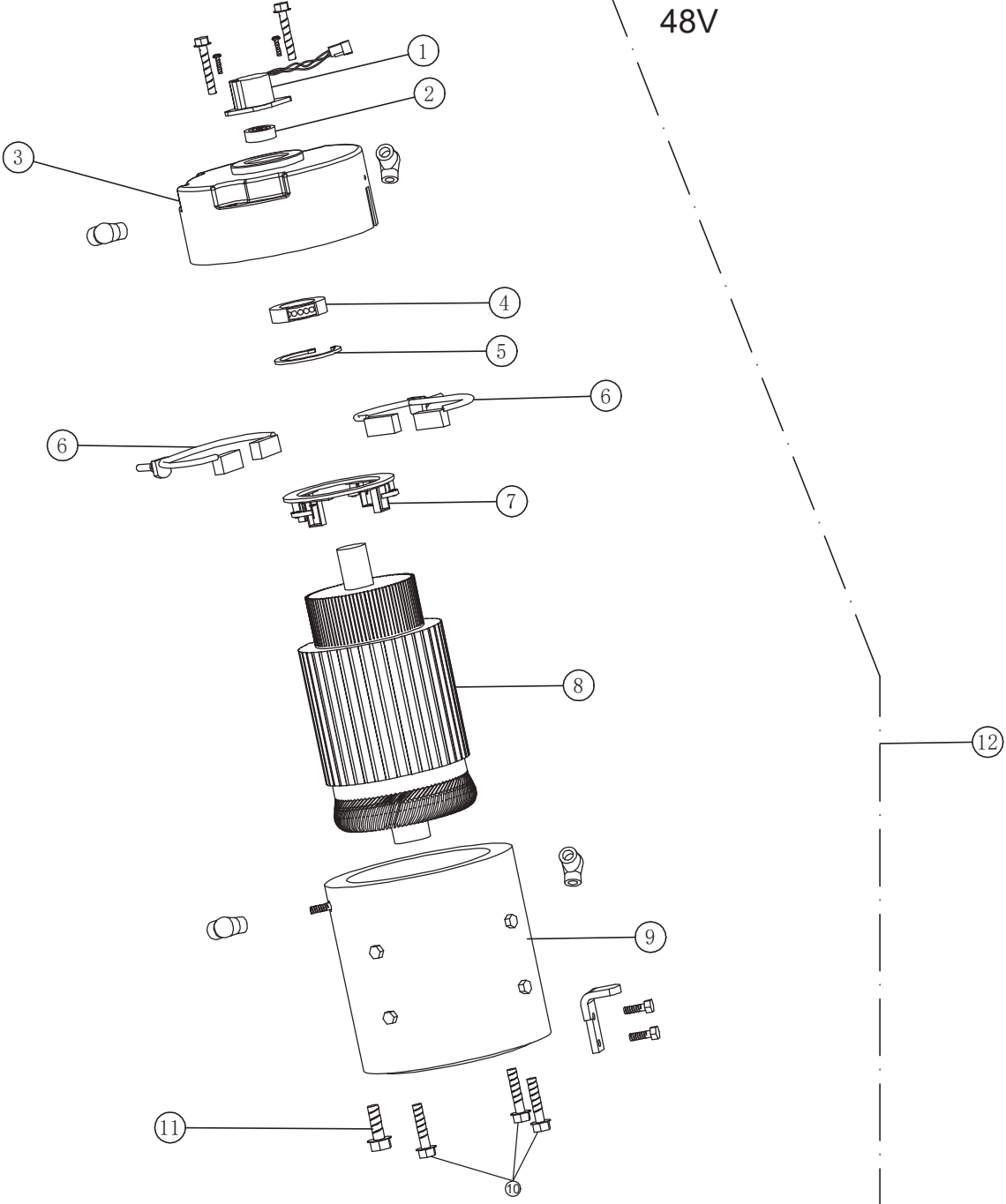


AC system

NO:	Code	Name	QTY	Remark
1	3.02.014.000104	Controller cover top	1	
2	3.03.016.000001	DC/DC convertor	1	48V/300W
3	3.03.017.000012	Fuse base	2	
4	2.02.007.010063	Toyota heatsink board-A	1	350*200*20t
5	3.03.015.000001	48V sensor	1	ZJ200A
6	3.03.003.000021	Toyota communication controller	1	48V350A
7	3.03.017.000034	Fuse 300A	1	
8	3.03.010.000004	Buzzer48V	1	
9	3.03.007.000095	AC motor	1	

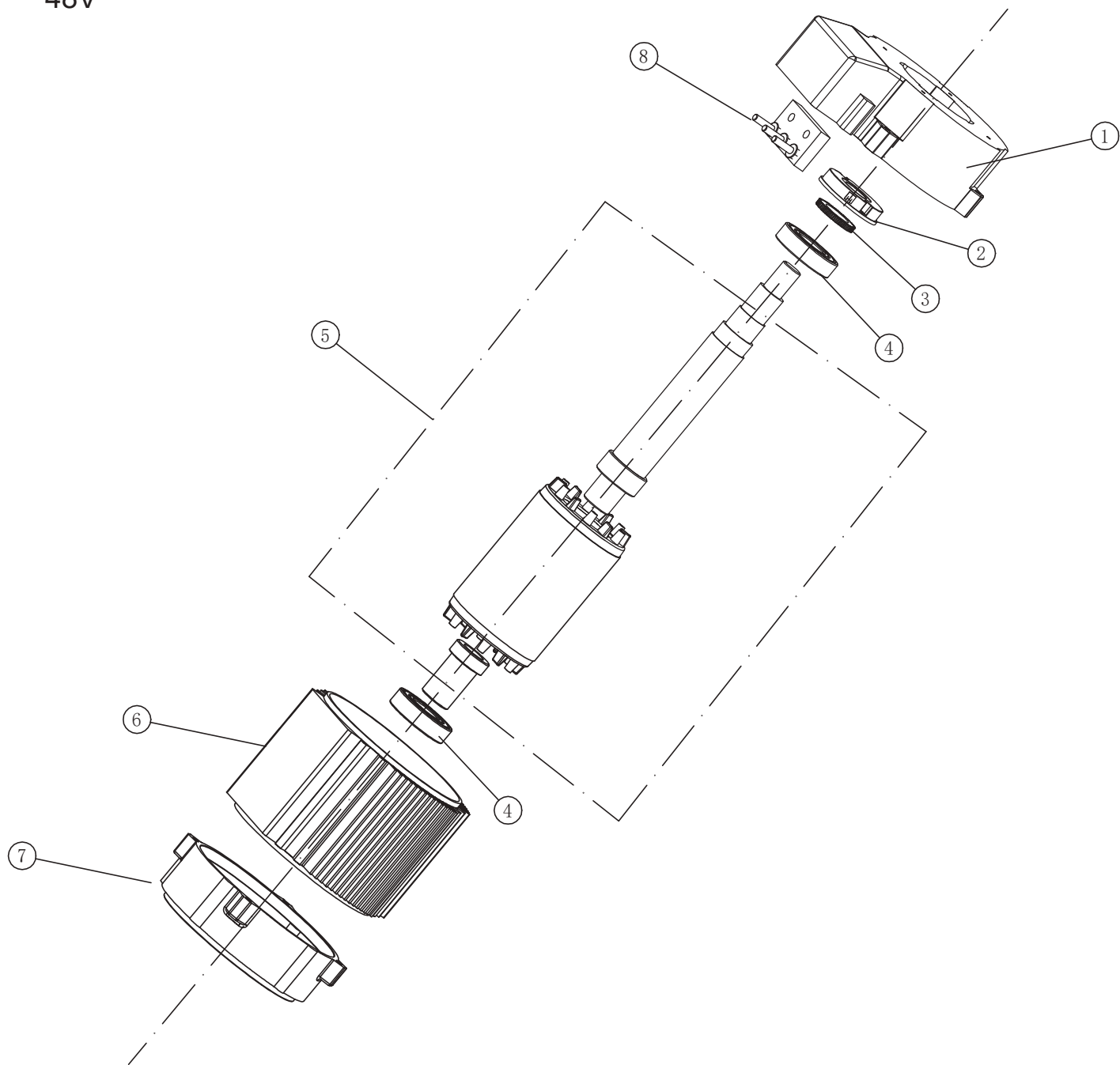
48V

DC motor system



NO:	Code	Name	QTY	Remark
1	3.03.007.000037	Speed sensor	1	3.7KW ADC' H
2	3.03.007.000052	Magnetic ring	1	3.7KW ADC' H
3	3.03.007.000012	Motor cover	1	3.7KW ADC' H
4	3.01.004.090003	Bearing	1	6205
5	3.01.003.070014	Retainer clip	1	
6	3.03.007.000005	ADC motor carbon brush	4	3.7KW ' H
7	3.01.006.000119	Carbon brush holder	1	3.7KW ADC' H
8	3.03.007.000013	Amature	1	ADC3.7KW' H
9	3.03.007.000011	Stator	1	ADC3.7KW' H
10	3.01.003.070015	Screw	3	1/4*50(6mm)
11	3.01.003.070016	Screw	1	M8
12	3.03.007.000006	ADC DC motor48V-3.7KW / Import	1	

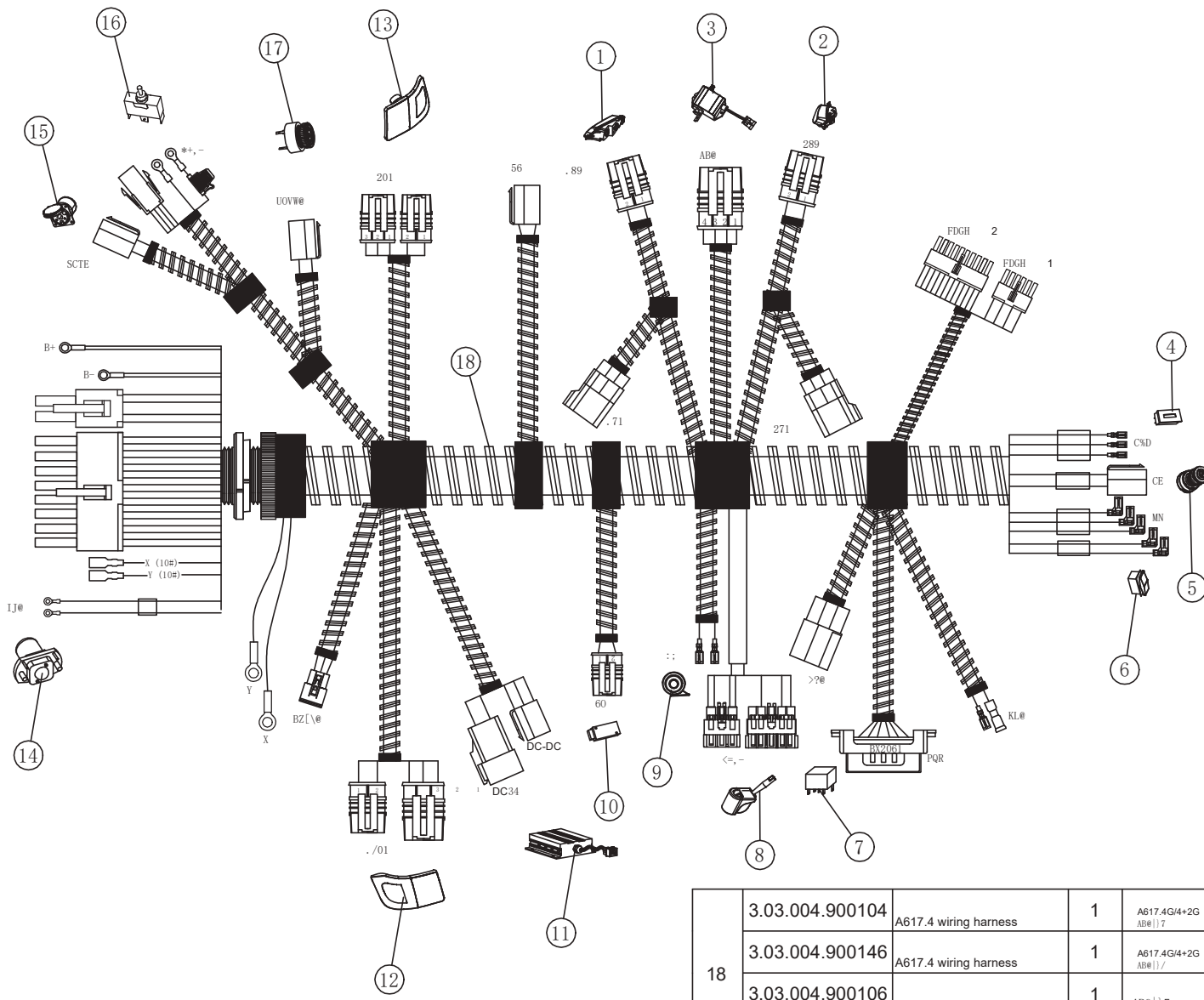
48V



AC motor system

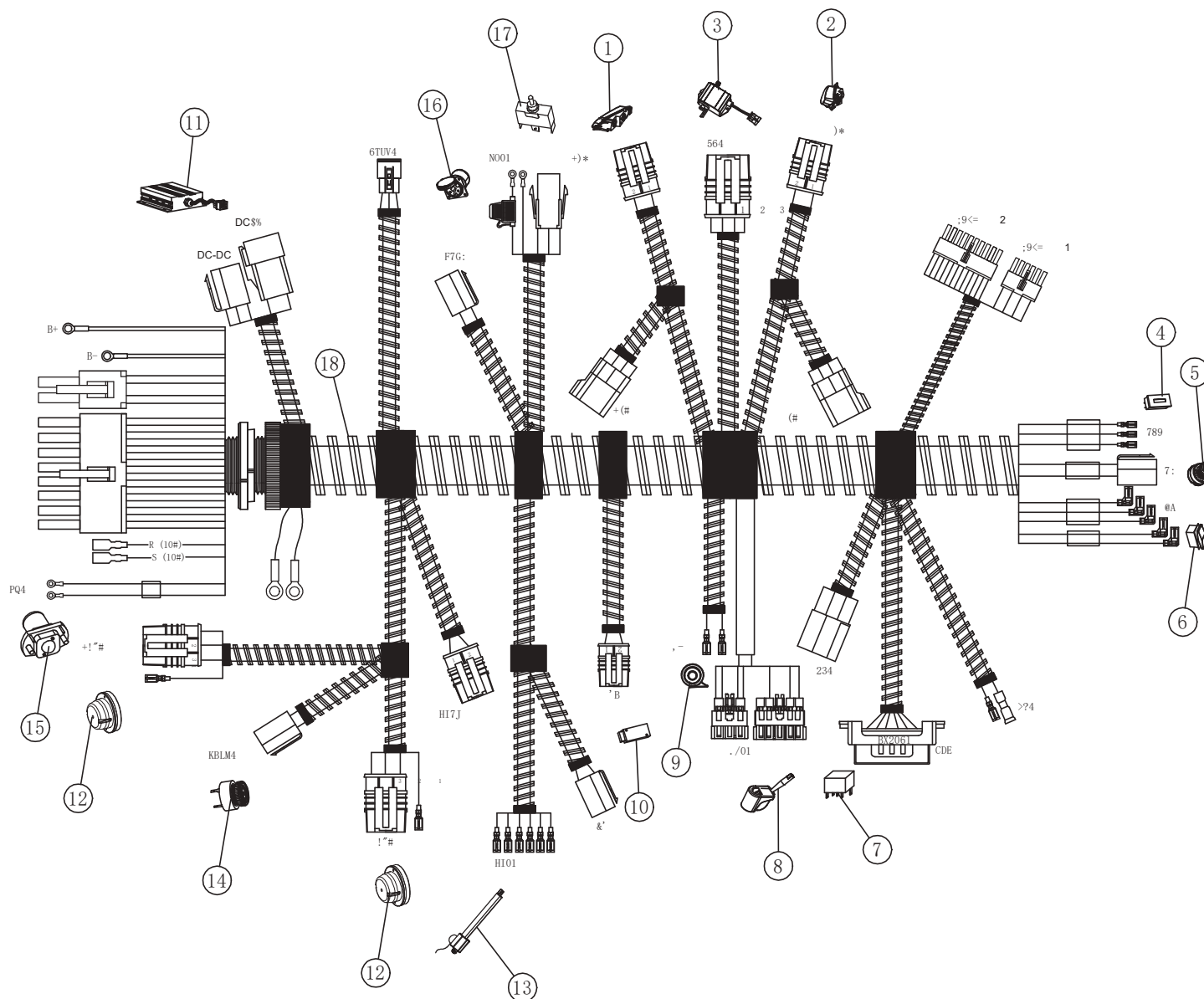
NO:	Code	Name	QTY	Remark
1	3.01.006.000393	Rear cover	1	, 0 4KW
2	3.03.017.000077	Position coder	1	, 0 4KW
3	3.01.006.900116	Pulse wheel	1	, 0 4KW
4	3.01.004.900039	Bearing	1	6206ZZ
5	3.03.007.000083	Amature	1	, 0 4KW
6	3.03.007.000084	Stator	1	, 0 4KW
7	3.03.007.000086	Front cover	1	, 0 4KW
8	3.01.006.000404	Motor Cable Borard	1	, 0 4KW

Wiring harness (1)



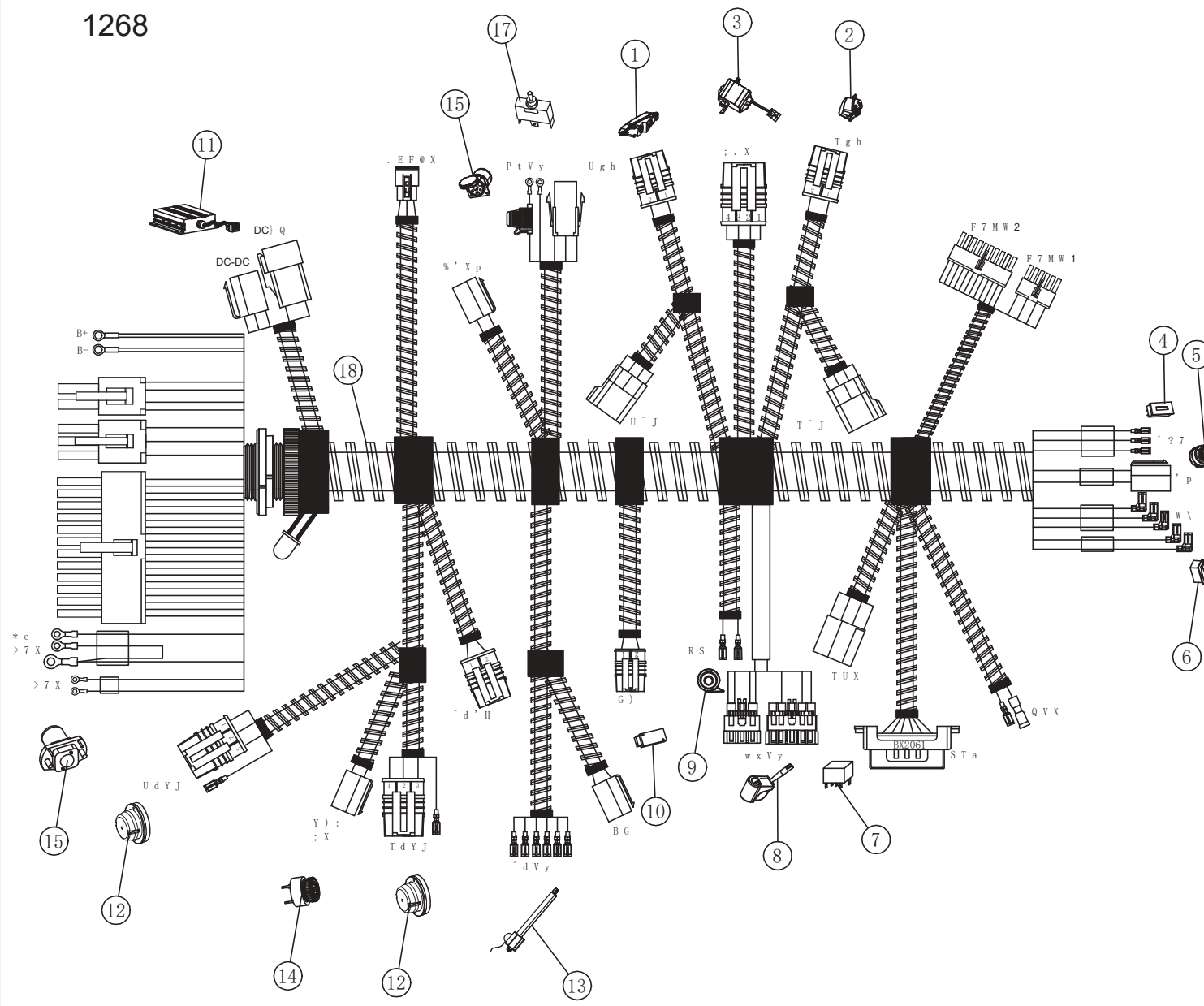
NO:	Code	Name	QTY	Remark
1	3.03.001.900060	A617 front head light/L	1	
2	3.03.001.900061	A617 front head light/R	1	
3	3.03.005.000001	Accelerator Hall-A	1	
	3.03.005.000009	Resistive accelerator-3	1	60 ()7)
	3.03.005.000017	Accelerator Hall-A1	1	60 ()/)
	3.03.005.000015	Resistive accelerator-4	1	6 ()7)
	3.03.005.000019	Accelerator Hall-C1	1	6 ()/)
4	3.03.011.000007	Power indicator 48V	1	
5	3.03.002.000027	Key switch	1	
6	3.03.002.000013	Switch F/R	1	
7	3.03.017.000062	Fasher	1	
8	3.03.011.000025	Single arm combination switch	1	
9	3.03.010.000007	Fanfare horn	1	
10	3.03.002.000008	Microswitch	1	
11	3.03.016.000001	DC/DC convertor	1	48V/300W
12	3.03.001.900056	A617 rear light/L	1	
13	3.03.001.900057	A617 rear light/R	1	
14	3.03.015.000001	48V sensor	1	ZJ200A
15	3.03.009.000013	Charger receptacle A	1	
16	3.03.002.000004	Two switch(2 level)	1	
17	3.03.010.000004	Buzzer48V	1	
18	3.03.004.900104	A617.4 wiring harness	1	A617.4G/4+2G AB#)7
	3.03.004.900146	A617.4 wiring harness	1	A617.4G/4+2G AB#)7
	3.03.004.900106	A617.6 wiring harness	1	AB#)7
	3.03.004.900147	A617.6 wiring harness	1	AB#)7
18	3.03.004.900115	A617.2 wiring harness	1	A617.2G/2+2G
	3.03.004.900116	A617.4 wiring harness	1	A617.4G/4+2G
	3.03.004.900103	A617.2 wiring harness	1	A617.2G/2+2G AB#)7
	3.03.004.900145	A617.2 wiring harness	1	A617.2G/2+2G AB#)7

Wiring harness (2)



NO:	Code	Name	QTY	Remark
1	3.03.001.900060	A617 front head light/L	1	
2	3.03.001.900061	A617 front head light/R	1	
3	3.03.005.000001	Accelerator Hall-A	1	cde7f
3	3.03.005.000009	Resistive accelerator-3	1	
3	3.03.005.000017	Accelerator Hall-A1	1	
3	3.03.005.000015	Resistive accelerator-4	1	
3	3.03.005.000019	Accelerator Hall-C1	1	
4	3.03.011.000007	Power indicator 48V	1	
5	3.03.002.000027	Key switch	1	
6	3.03.002.000013	Switch F/R	1	
7	3.03.017.000062	Fasher	1	
8	3.03.011.000025	Single arm combination switch	1	
9	3.03.010.000007	Fanfare horn	1	
10	3.03.002.000008	Microswitch	1	
11	3.03.016.000001	DC/DC convertor	1	48V/300W
12	3.03.001.000009	Tail light	2	
13	3.01.004.100011	Electrical lift rod	1	
14	3.03.010.000004	Buzzer48V	1	
15	3.03.015.000001	48V sensor	1	ZJ200A
16	3.03.009.000013	Charger receptacle A	1	A617.H2/H8/GC A617.H8G
17	3.03.002.000004	Two switch(2 level)	1	A617.H2/H8/GC A617.H8G
18	3.03.004.900117	A617.H wiring harness	1	
18	3.03.004.900105	A617.H wiring harness	1	564
18	3.03.004.900148	A617.H wiring harness	1	564

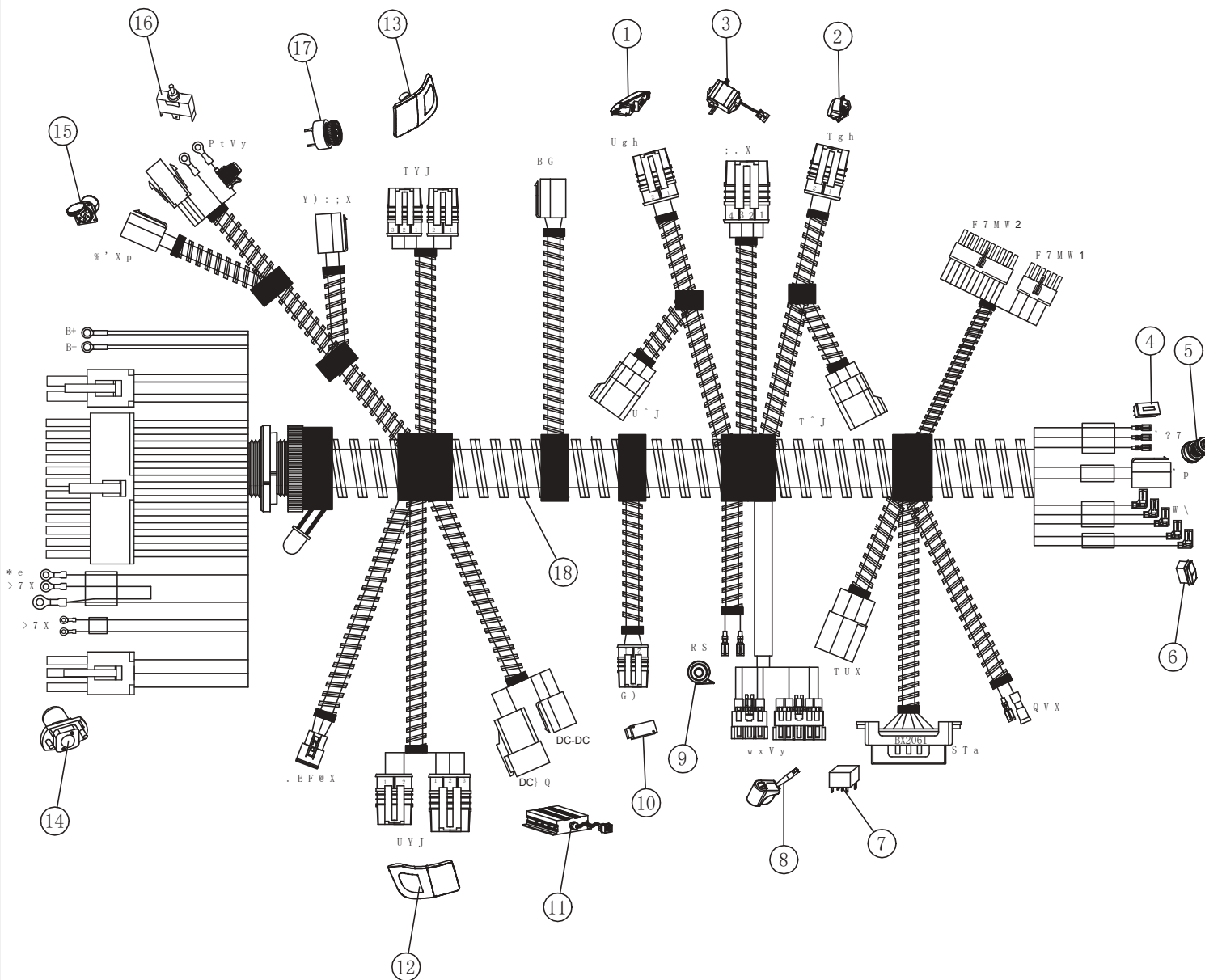
1268



DC harness (3)

NO:	Code	Name	QTY	Remark
1	3.03.001.900060	A617 front head light/L	1	
2	3.03.001.900061	A617 front head light/R	1	
3	3.03.005.000001	Accelerator Hall-A	1	
4	3.03.011.000007	Power indicator 48V	1	
5	3.03.002.000027	Key switch	1	
6	3.03.002.000013	Switch F/R	1	
7	3.03.017.000062	Fasher	1	
8	3.03.011.000025	Single arm combination switch	1	
9	3.03.010.000007	Fanfare horn	1	
10	3.03.002.000008	Microswitch	1	
11	3.03.016.000001	DC/DC convertor	1	48V/300W
12	3.03.001.000009	Tail light	2	
13	3.01.004.100011	Electrical lift rod	1	
14	3.03.010.000004	Buzzer48V	1	
15	3.03.015.000001	48V sensor	1	ZJ200A
16	3.03.009.000013	Charger receptacle A	1	
17	3.03.002.000004	Two switch (2 level)	1	
18	3.03.004.900126	A617.H wiring harness	1	

1268



Wiring harness (4)

NO:	Code	Name	QTY	Remark
1	3.03.001.900060	A617 front head light/L	1	
2	3.03.001.900061	A617 front head light/R	1	
3	3.03.005.000001	Accelerator Hall-A	1	
4	3.03.011.000007	Power indicator 48V	1	
5	3.03.002.000027	Key switch	1	
6	3.03.002.000013	Switch F/R	1	
7	3.03.017.000062	Fasher	1	
8	3.03.011.000025	Single arm combination switch	1	
9	3.03.010.000007	Fanfare horn	1	
10	3.03.002.000008	Microswitch	1	
11	3.03.016.000001	DC/DC convertor	1	48V/300W
12	3.03.001.900056	A617 rear light/L	1	
13	3.03.001.900057	A617 rear light/R	1	
14	3.03.015.000001	48V sensor	1	ZJ200A
15	3.03.009.000013	Charger receptacle A	1	
16	3.03.002.000004	Two switch(2 level)	1	
17	3.03.010.000004	Buzzer48V	1	
18	3.03.004.900128	A617.6 wiring harness	1	